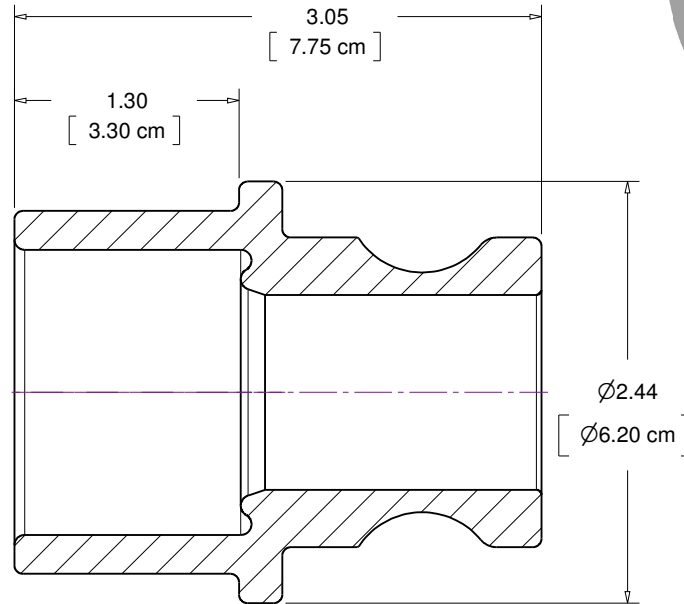
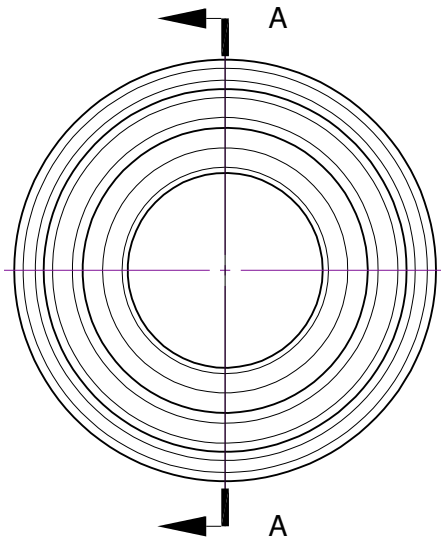
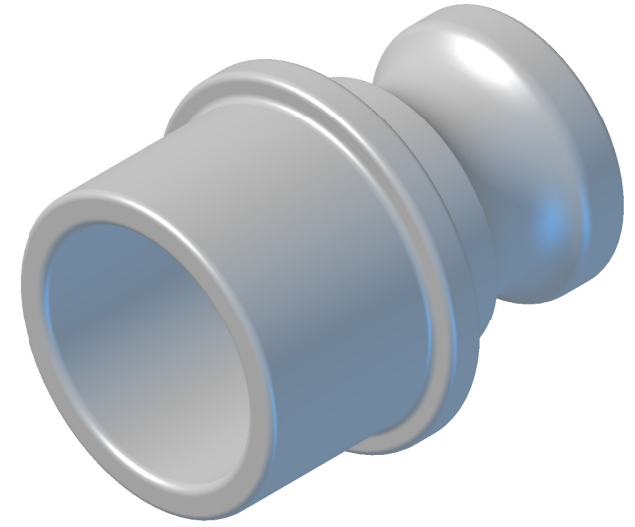




(317)346-4110
www.drainagesolutionsinc.com



Section A-A

BEE VALVE, INC		
TITLE/DESC X STYLE CAM ADAPTER		
DATE 04/18/16	PART NO 125-X	REV

THIS DOCUMENT CONTAINS PROPRIETARY INFORMATION AND MAY NOT BE DISCLOSED TO OTHERS FOR ANY PURPOSE, NOR USED FOR MANUFACTURING PURPOSES WITHOUT THE WRITTEN PERMISSION OF BEE VALVE INC