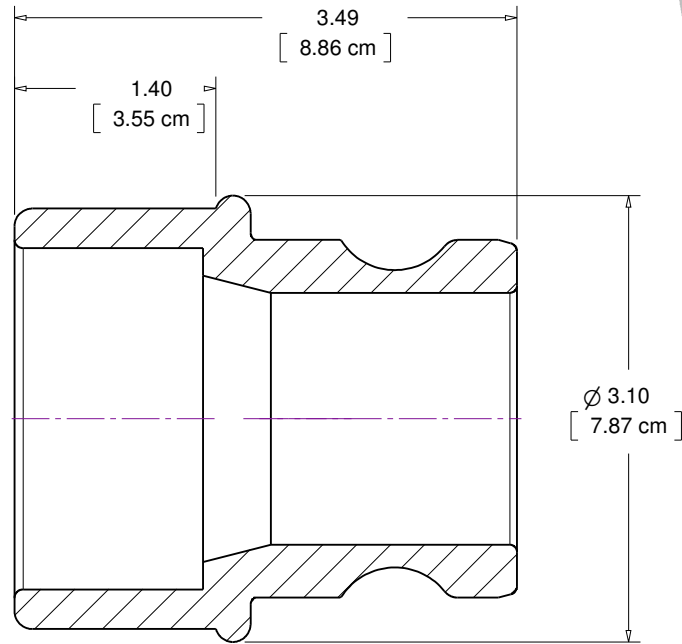
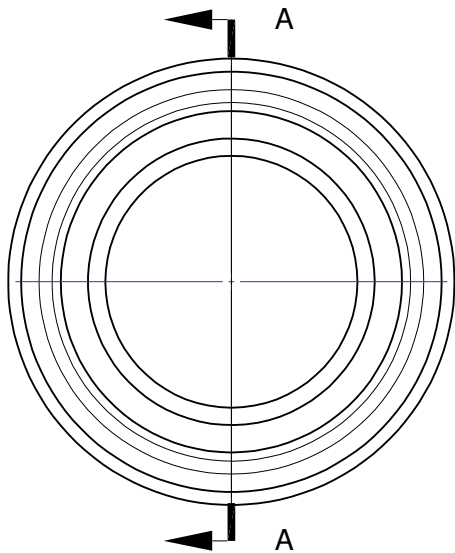
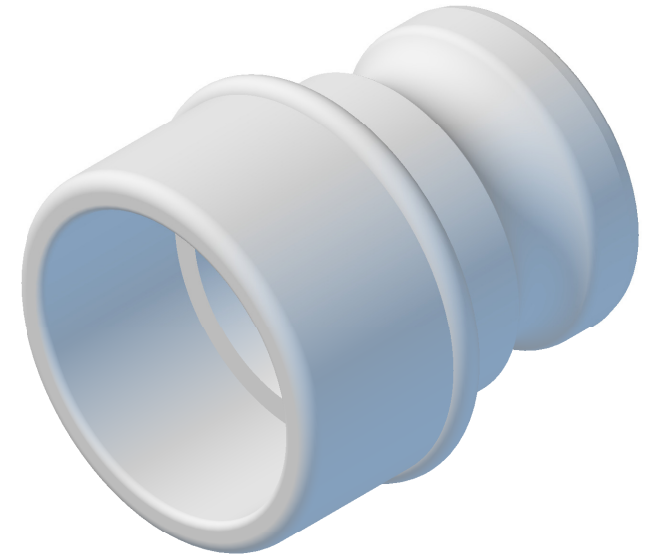




(317)346-4110  
www.drainagesolutionsinc.com



Section A-A

**BEE VALVE, INC**

TITLE/DESC

**X STYLE  
CAM ADAPTER**



MATERIAL  
PVC

THIS DOCUMENT CONTAINS PROPRIETARY INFORMATION AND MAY NOT BE DISCLOSED TO OTHERS FOR ANY PURPOSE, NOR USED FOR MANUFACTURING PURPOSES WITHOUT THE WRITTEN PERMISSION OF BEE VALVE INC

DATE  
04/18/16

PART NO  
**200-X**

REV