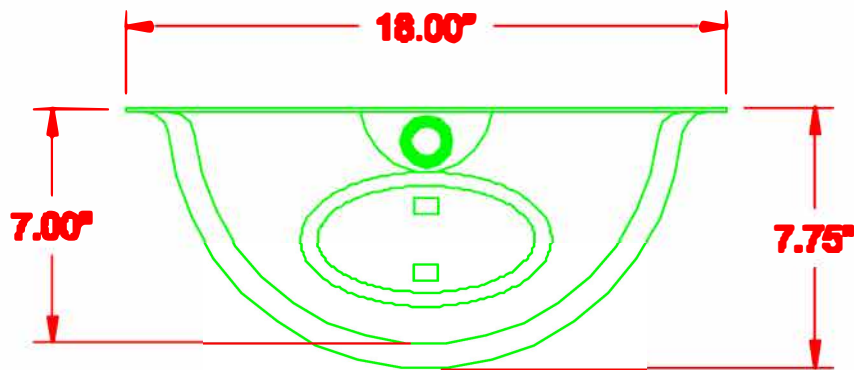


FRONT

SIDE



PLAN

US PATENT #6128817/ADDITIONAL PATENTS PENDING

BMP, INC.



(317) 346-4110
www.drainagesolutionsinc.com

| | | |
|--|-----------------|--------------|
| BMP, INC. | | |
| DESCRIPTION | DATE | SCALE |
| 12F SNOUT OIL & DEBRIS STOP | 09/01/99 | NONE |
| DRAWING NUMBER | | |
| 12F | | |