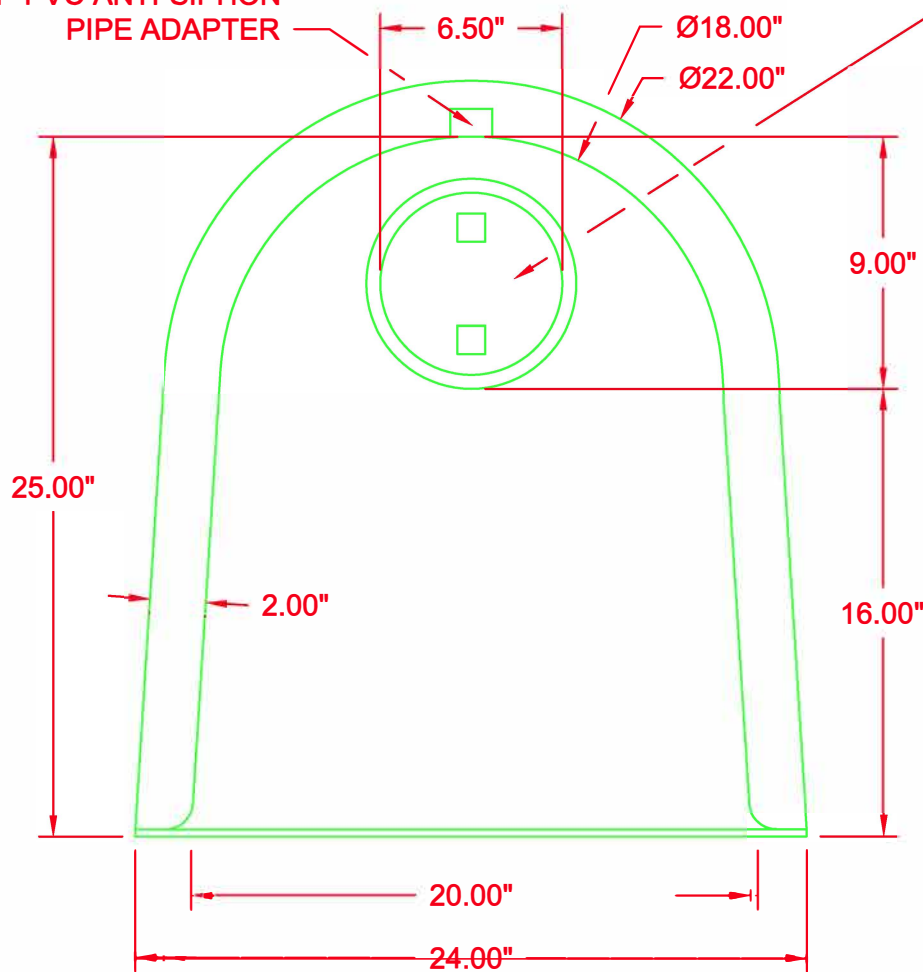
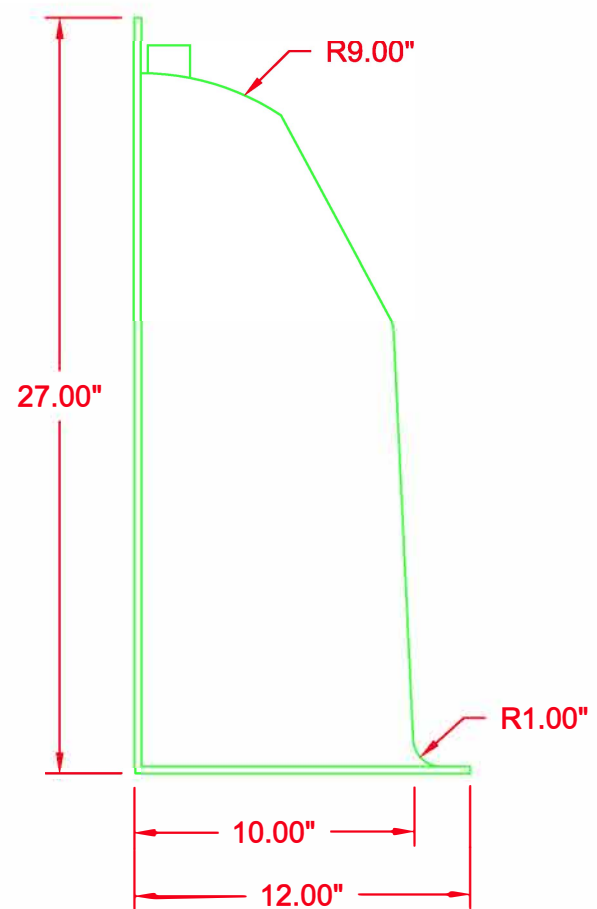


1" PVC ANTI-SIPHON
PIPE ADAPTER

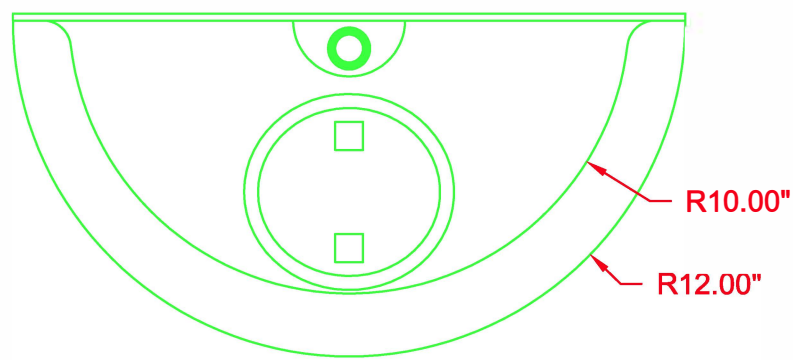
REMOVABLE WATERTIGHT
ACCESS PORT, 6" OPENING



FRONT



SIDE



PLAN

US PATENT #6126817 ADDITIONAL PATENTS PENDING

BMP, INC.



(317) 346-4110
www.drainagesolutionsinc.com

DESCRIPTION			DATE	SCALE
18F SNOOT OIL & DEBRIS STOP			09/14/99	NONE
			DRAWING NUMBER 18F	