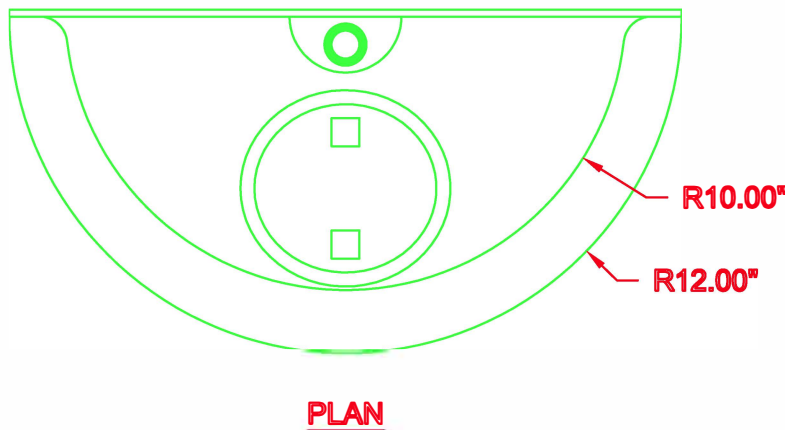
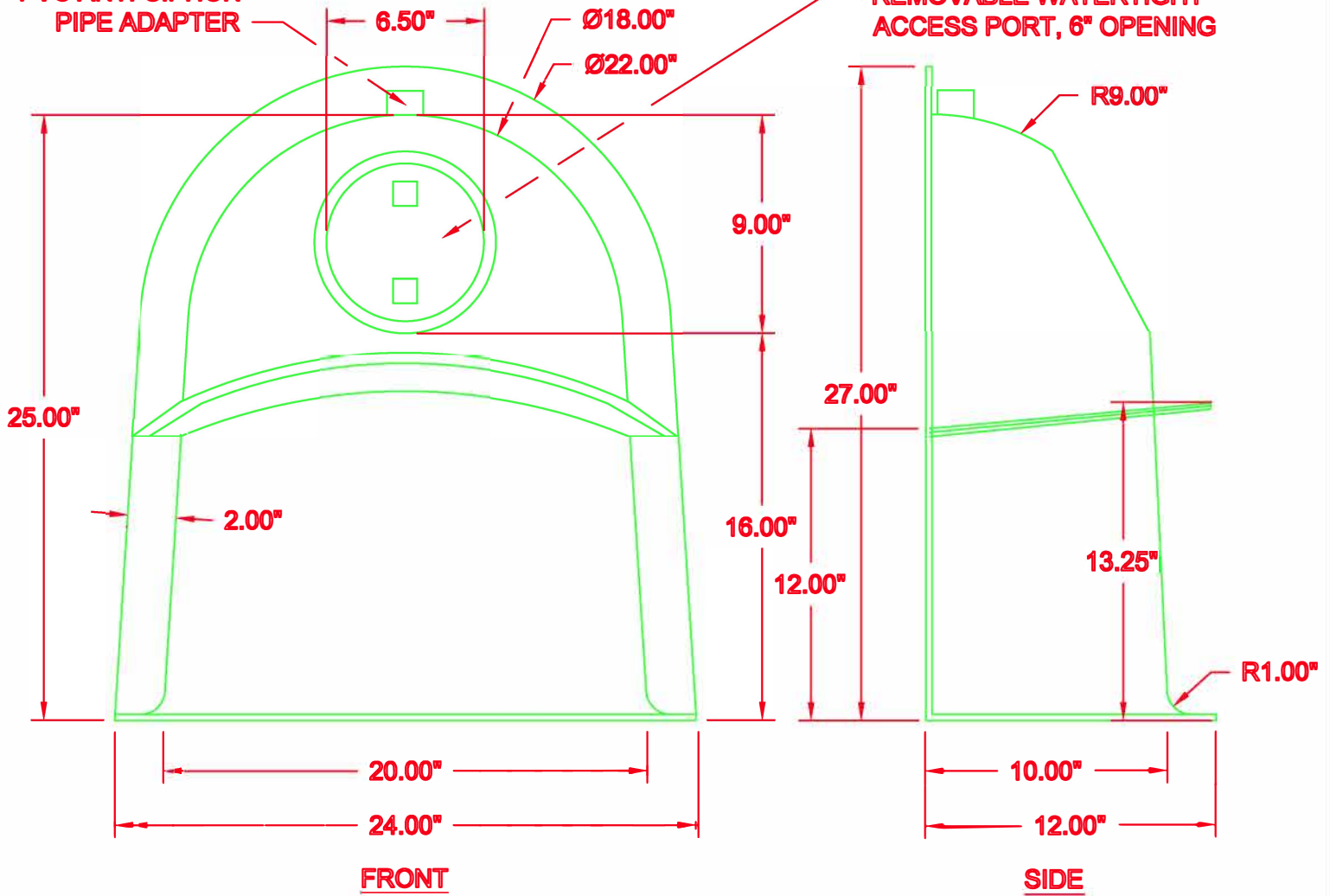


1" PVC ANTI-SIPHON
PIPE ADAPTER

REMOVABLE WATERTIGHT
ACCESS PORT, 6" OPENING



US PATENT #6126817 CANADA PATENT # 2285146

BMP, INC.



(317) 346-4110
www.drainagesolutionsinc.com

DESCRIPTION	DATE	SCALE
18F SPLIT SNOUT	09/14/99	NONE
	DRAWING NUMBER 18FSPLIT	