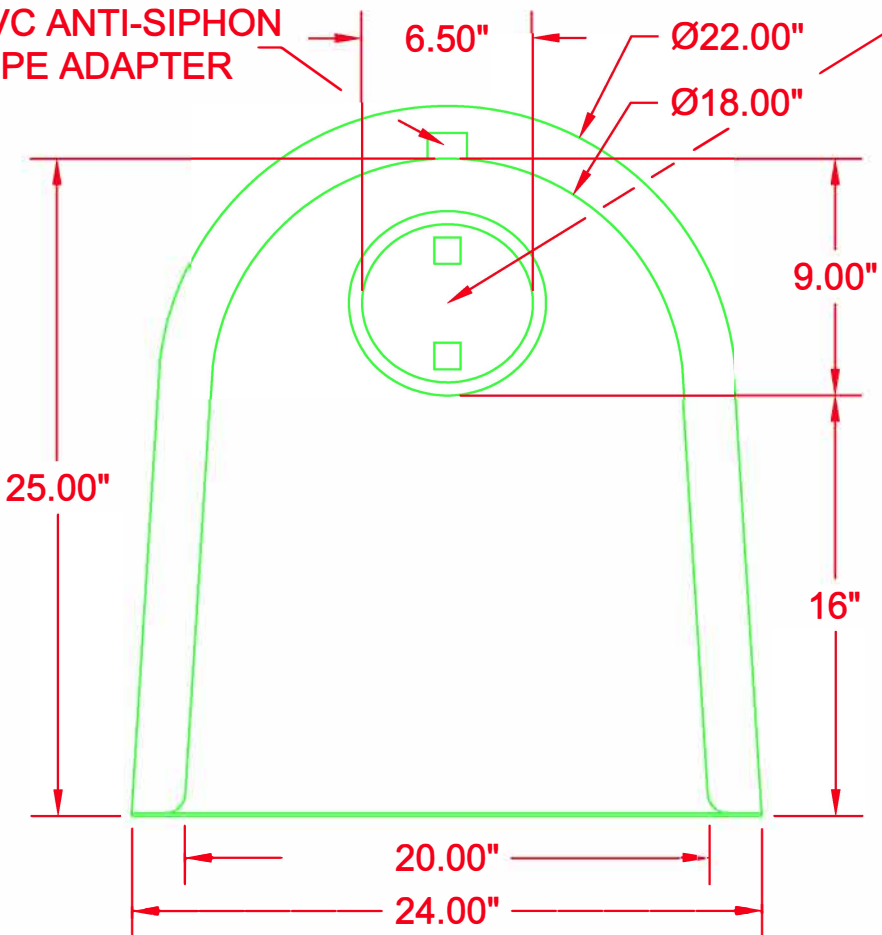
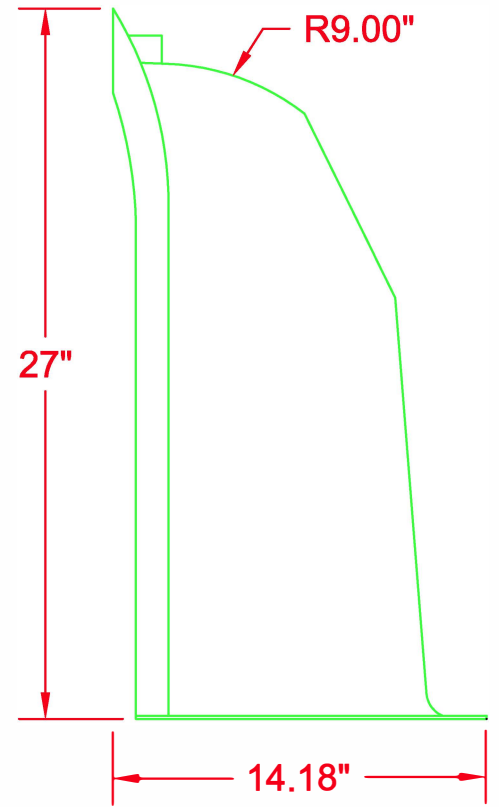


1" PVC ANTI-SIPHON  
PIPE ADAPTER

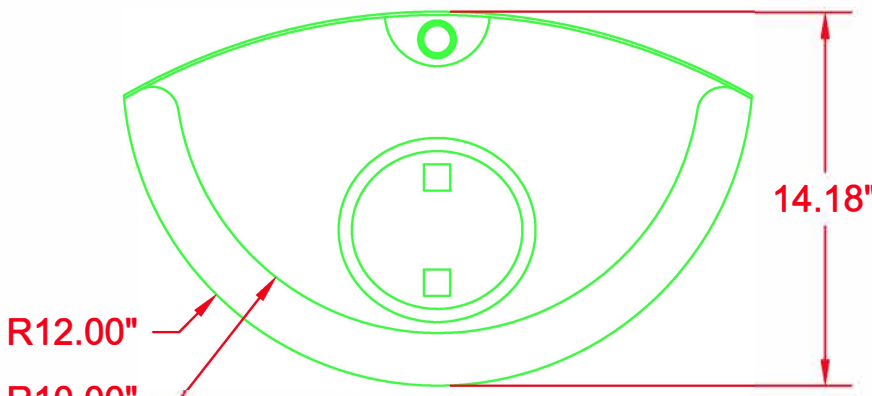


FRONT

REMOVABLE WATERTIGHT  
ACCESS PORT, 6" OPENING



SIDE



PLAN

DESIGNED TO FIT  
48"-60" DIAM.  
STRUCTURES



DRAINAGE  
SOLUTIONS, INC.

SUPPLIER / DISTRIBUTOR  
(317) 346-4110

www.drainagesolutionsinc.com

U.S. PATENT #6126817 ADDITIONAL PATENTS PENDING

**BMP, INC.**

DESCRIPTION	DATE	SCALE
18R SNOUT OIL & DEBRIS STOP	09/06/99	NONE
DRAWING NUMBER		18R