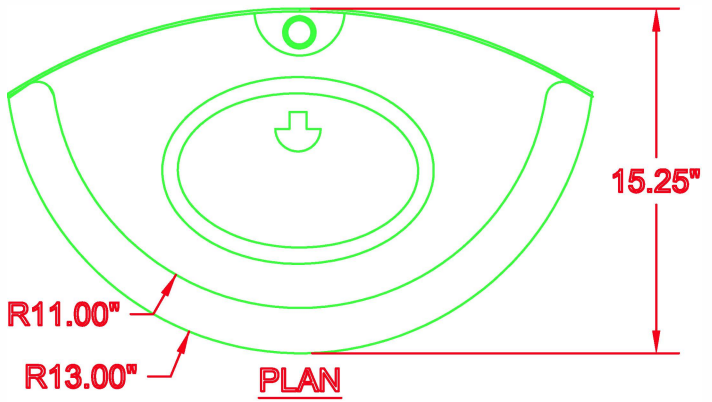


FRONT



SIDE



PLAN

FOR 48"-60" DIAM. STRUCTURE

U.S. PATENT #6126817 ADDITIONAL PATENTS PENDING

BMP, INC.



(317) 346-4110
www.drainagesolutionsinc.com

DESCRIPTION	DATE	SCALE
18R10XD SNOOT OIL & DEBRIS STOP	06/01/06	NONE
DRAWING NUMBER		18R10XD