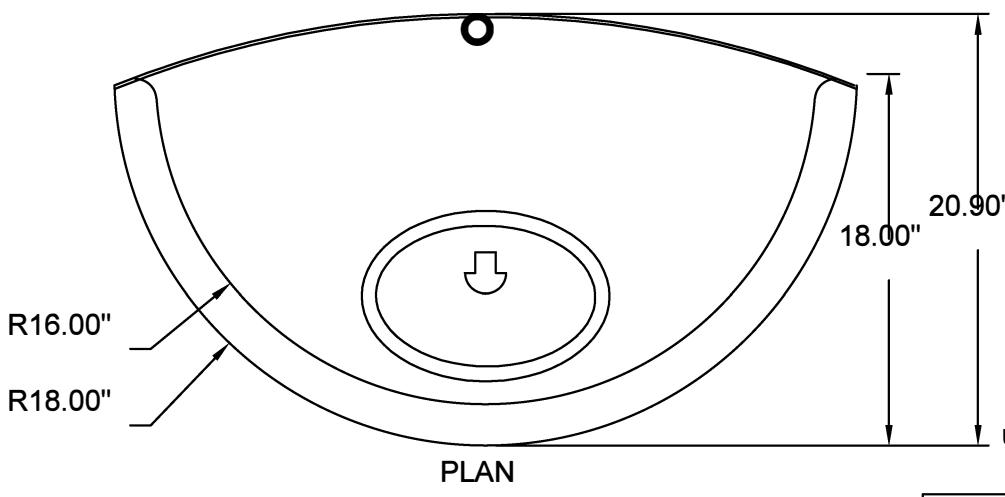
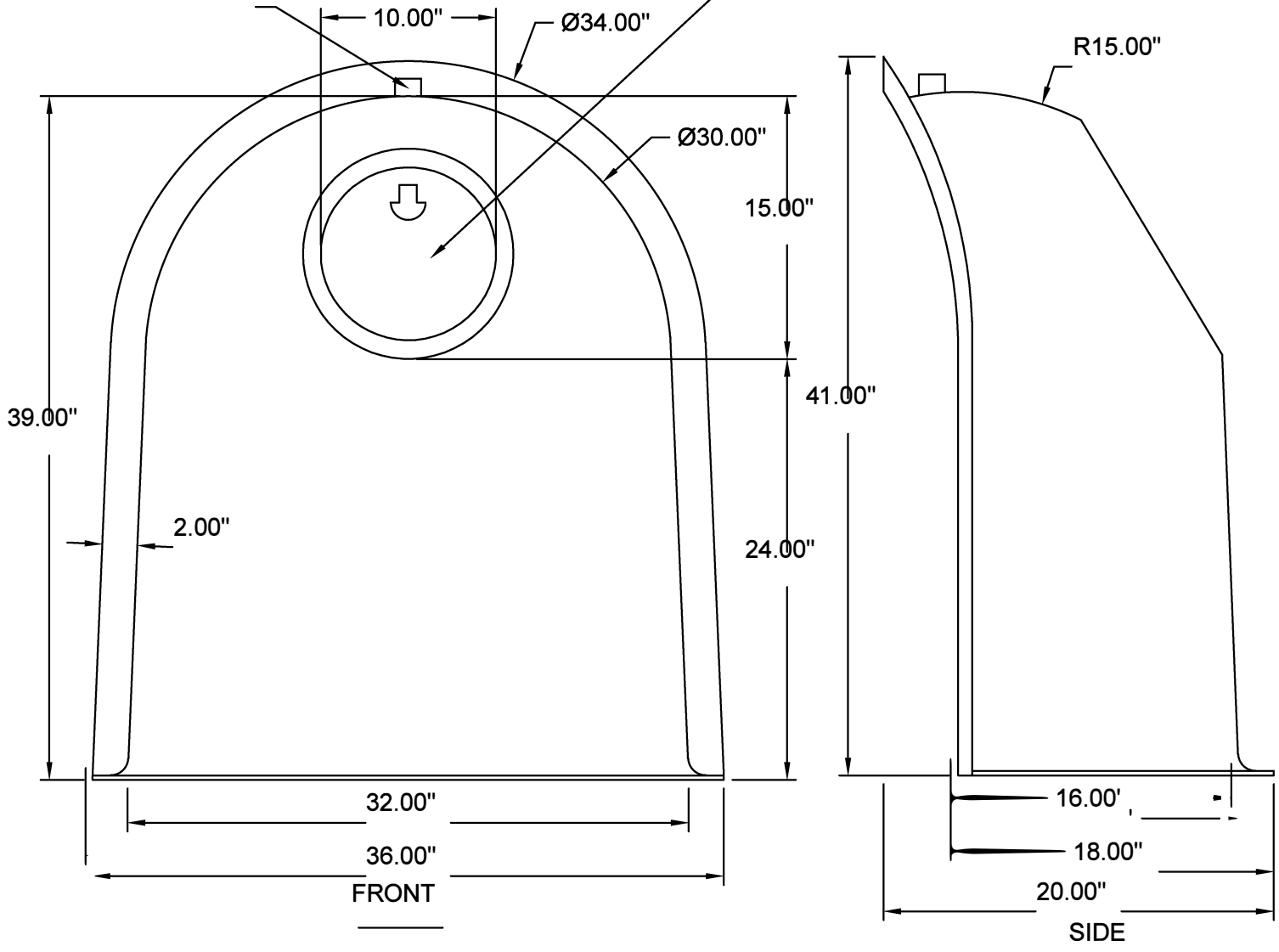


1" PVC ANTI-SIPHON
PIPE ADAPTER

REMOVABLE WATERTIGHT
ACCESS PORT, 10" OPENING



(317) 346-4110
www.drainagesolutionsinc.com

U.S. PATENT #6126817 ADDITIONAL PATENTS PENDING

DESIGNED TO FIT 96"
DIAM. STRUCTURES

RECOMMENDED MIN.
SUMP DEPTH 2.5 TO 3X
OUTLET PIPE I.D.

BMP, INC.		
DESCRIPTION	DATE	SCALE
30R-96 SNOUT OIL & DEBRIS STOP	07/04/16	NONE
	DRAWING NUMBER 30R-96	