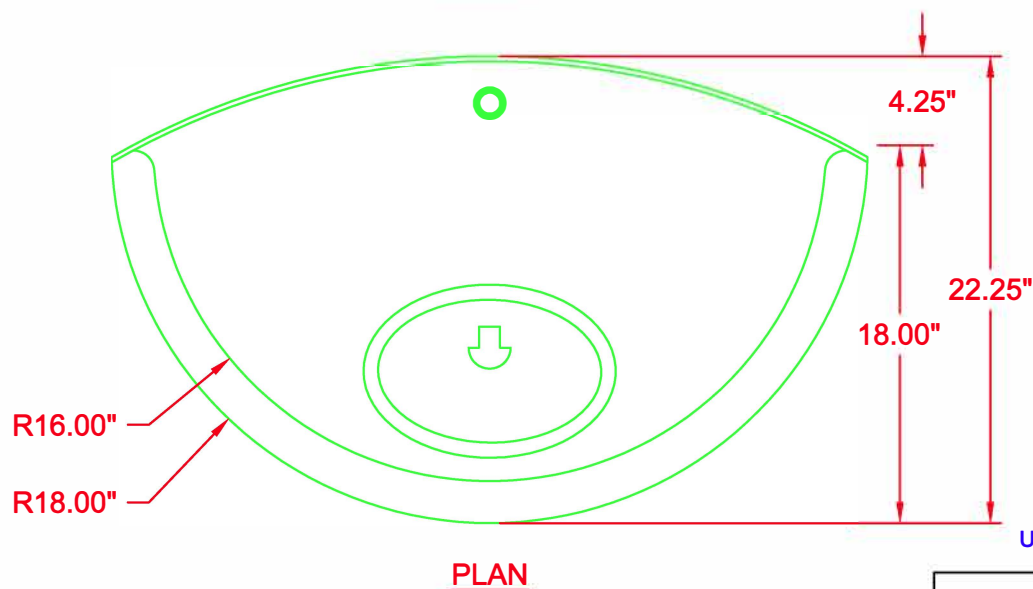
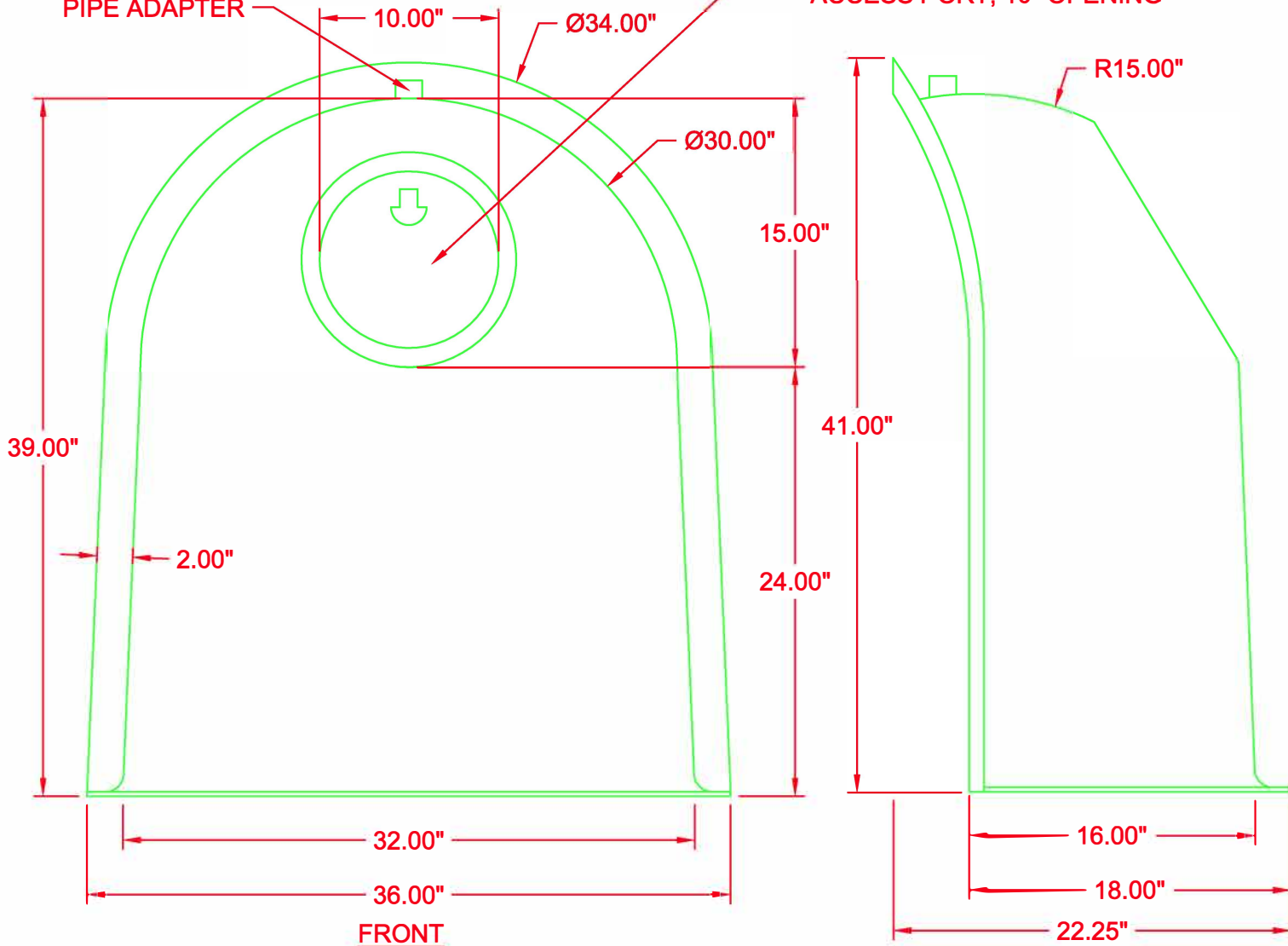


1" PVC ANTI-SIPHON
PIPE ADAPTER

REMOVABLE WATERTIGHT
ACCESS PORT, 10" OPENING



DESIGNED TO FIT
60"-72" DIAM.
STRUCTURES



**DRAINAGE
SOLUTIONS, INC.**

SUPPLIER / DISTRIBUTOR

(317) 346-4110

www.drainagesolutionsinc.com

U.S. PATENT #6126817 ADDITIONAL PATENTS PENDING

BMP, INC.

DESCRIPTION	DATE	SCALE
30R SNOUT OIL & DEBRIS STOP	10/04/99	NONE
	DRAWING NUMBER 30R	