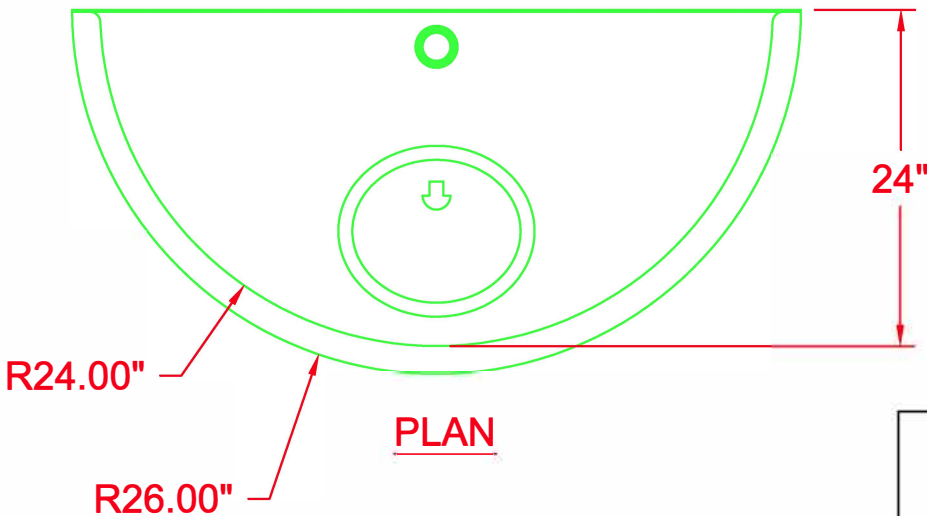
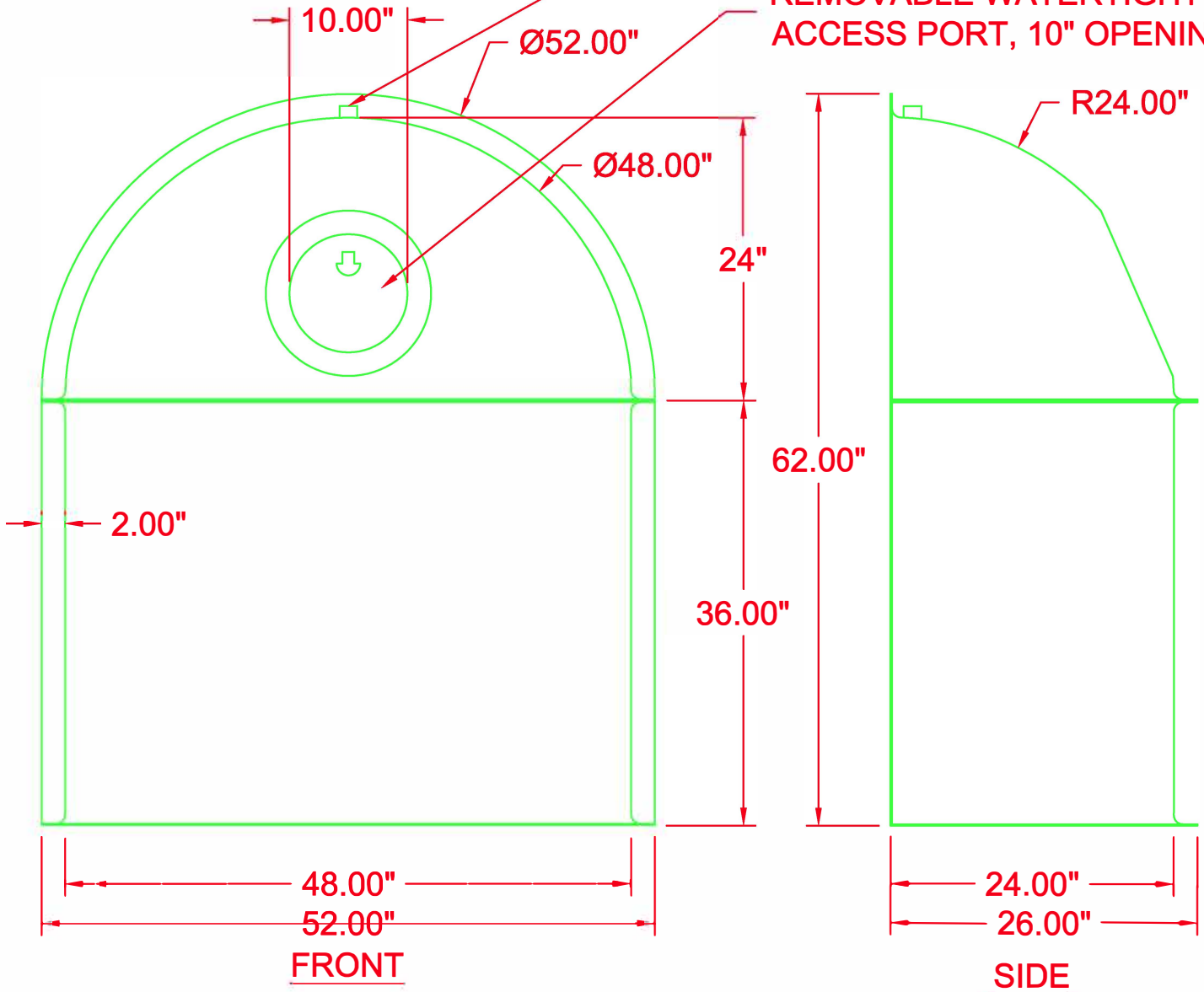


1" PVC ANTI-SIPHON
PIPE ADAPTER

REMOVABLE WATERTIGHT
ACCESS PORT, 10" OPENING



U.S. PATENT #6126817 ADDITIONAL PATENTS PENDING

BMP, INC.



(317) 346-4110
www.drainagesolutionsinc.com

DESCRIPTION			DATE	SCALE
48FTB SNOUT OIL & DEBRIS STOP			09/28/99	NONE
DRAWING NUMBER			48FTB	