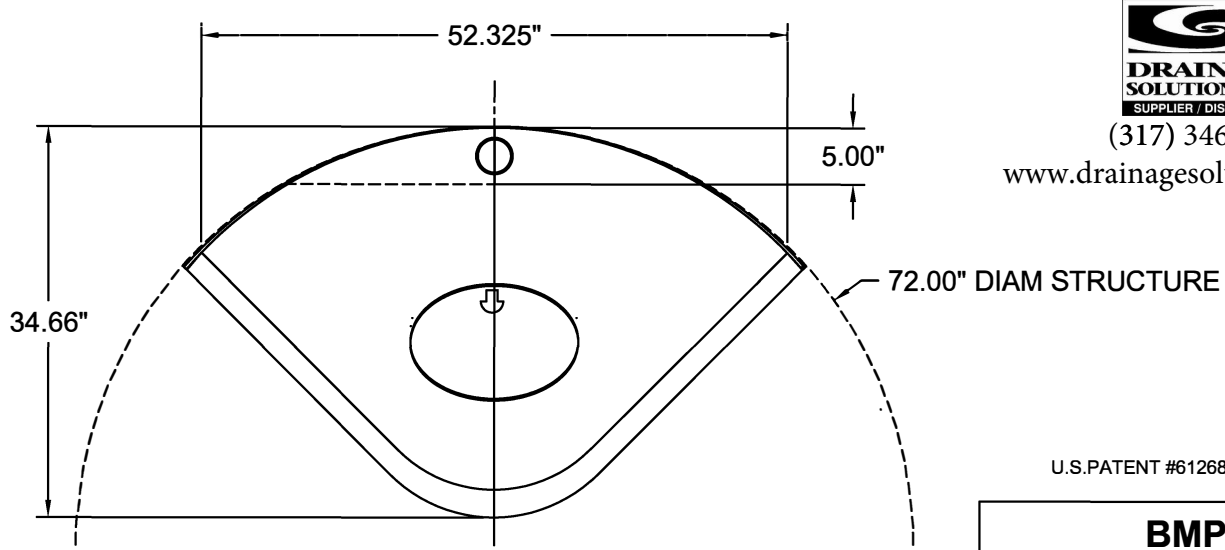


FRONT

SECTION



PLAN



(317) 346-4110

www.drainagesolutionsinc.com

U.S.PATENT #6126817 ADDITIONAL PATENTS PENDING

DESIGN NOTE: 52RTB/72 IS A 2-PIECE PART FOR INSTALLATION IN A 72" DIAM. STRUCTURE ONLY

<u>BMP, INC.</u>		
DESCRIPTION 52RTB/72 SNOUT OIL & DEBRIS STOP	DATE 03/01/08	SCALE NONE
		DRAWING NUMBER 52RTB/72