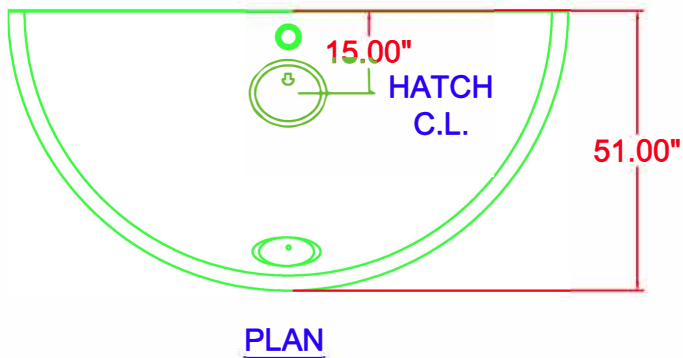
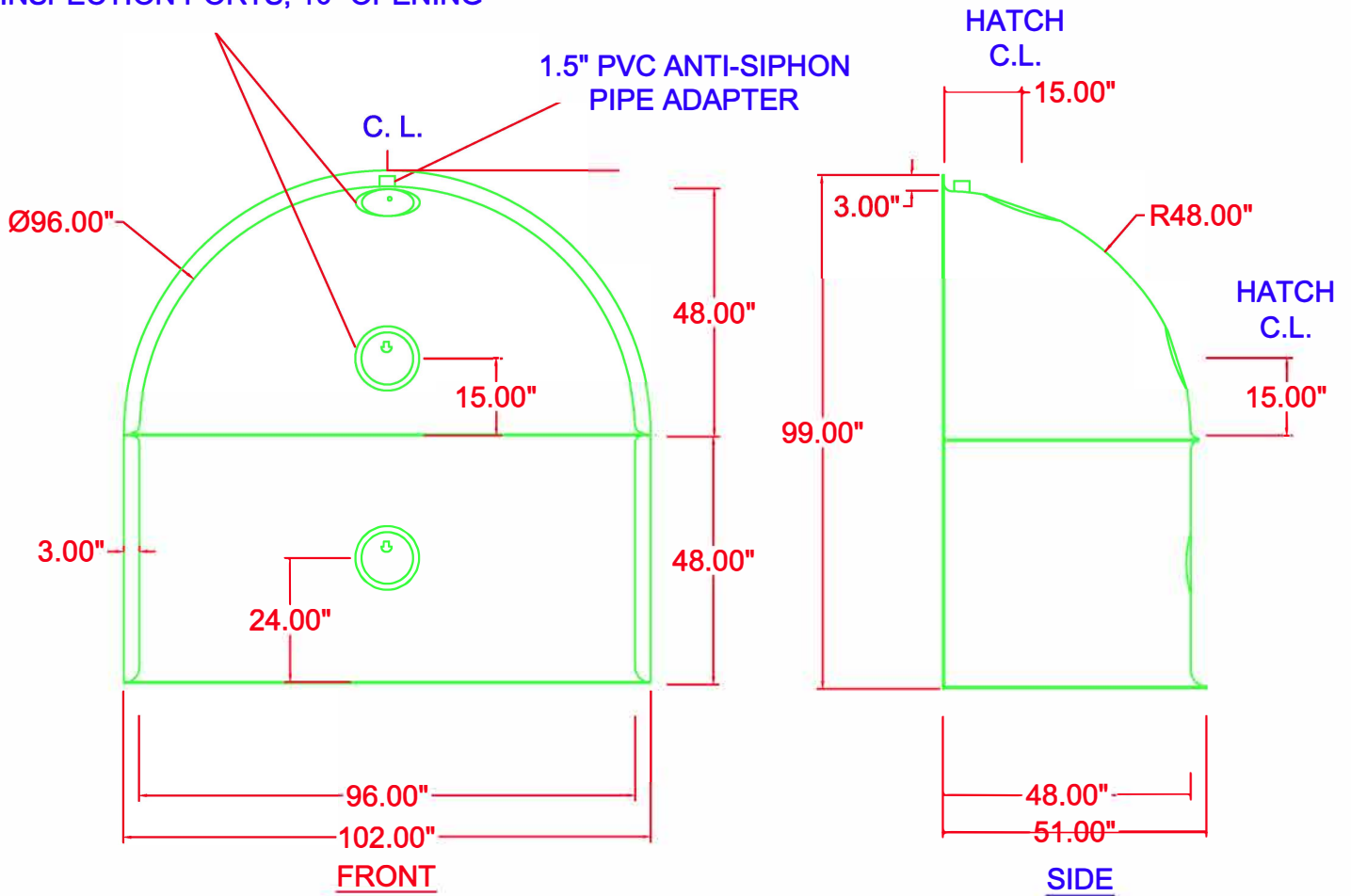


REMOVABLE WATERTIGHT  
INSPECTION PORTS, 10" OPENING



U.S. PATENT #6126817 ADDITIONAL PATENTS PENDING

**BMP, INC**

DESCRIPTION

96FTB SNOOT  
OIL & DEBRIS  
STOP  
(TOP & 1 BASE)

DATE  
11/12/02

SCALE  
NONE

DRAWING NUMBER

96FTB



(317) 346-4110  
www.drainagesolutionsinc.com