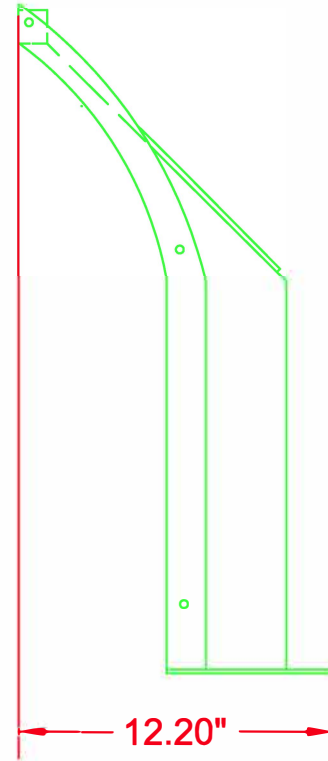
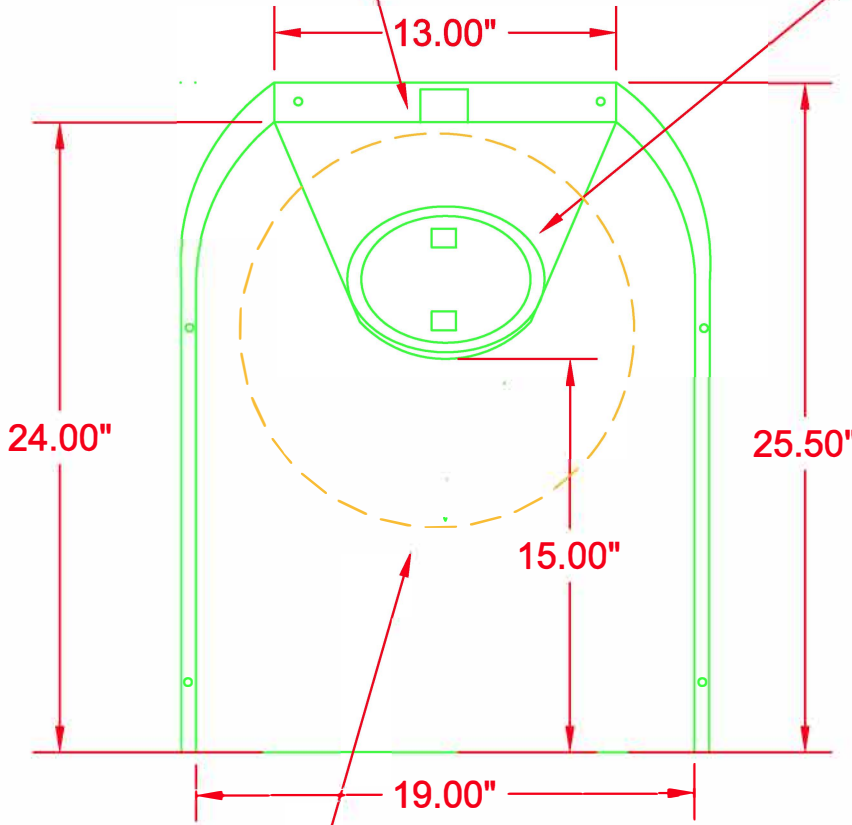


1" PVC ANTI-SIPHON  
PIPE ADAPTER

6" WATERTIGHT ACCESS PORT



12" ID OUTLET  
PIPE

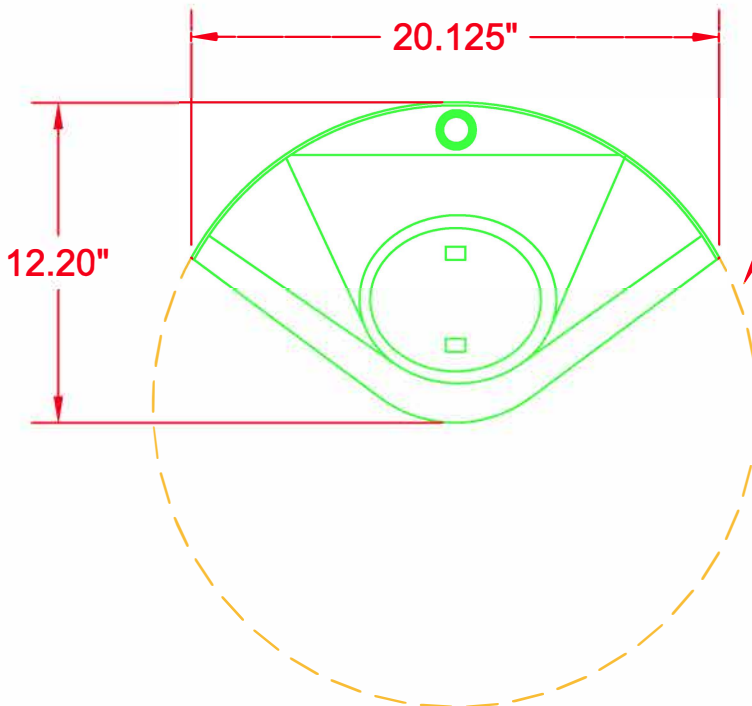
FRONT

SIDE

ALL FLANGES 1.5"

FOR INSTALLATION IN  
24" SDR 35 PVC  
CATCHBASIN

NOTE:  
RECOMMENDED  
SUMP DEPTH IS 45".  
30" SUMP MINIMUM.



PLAN

US PATENT #6126817  
CANADA PATENT #2285146

**BMP, INC.**



(317) 346-4110  
www.drainagesolutionsinc.com

DESCRIPTION	DATE	SCALE
NP1524R SNOOT OIL & DEBRIS STOP	08/08/05	NONE
DRAWING NUMBER		NP1524R