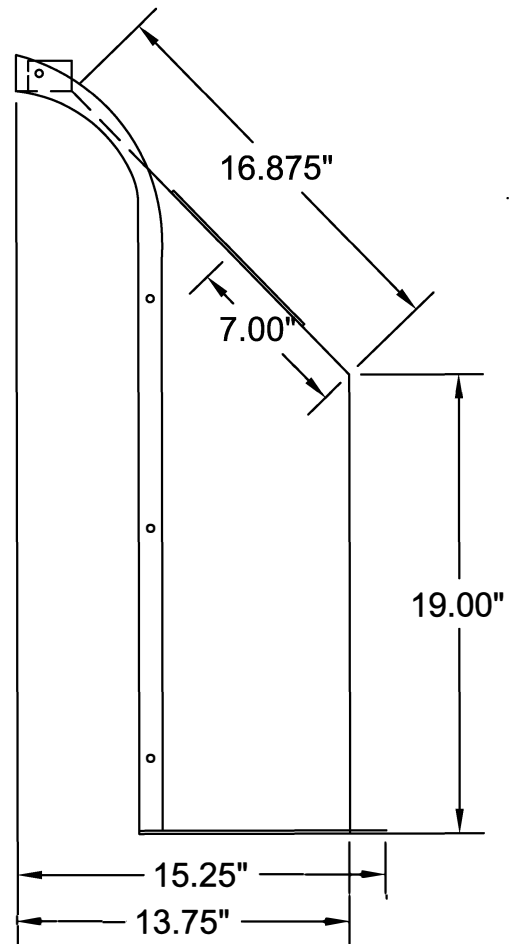
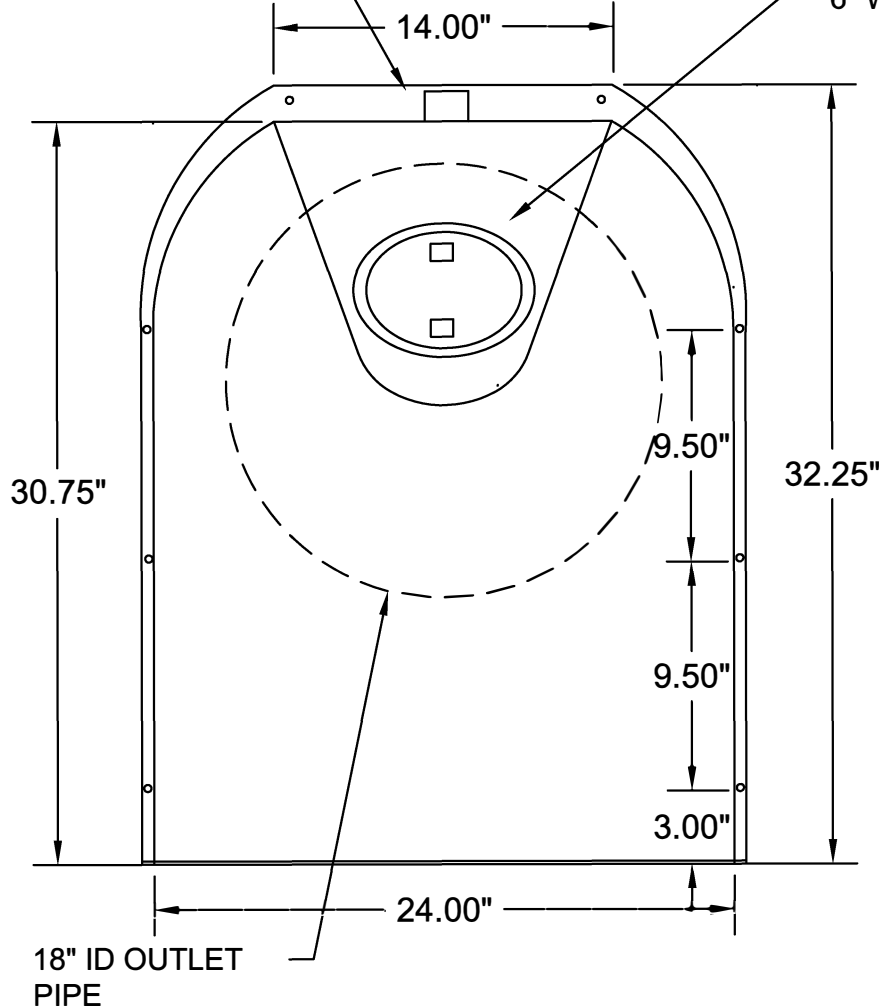


1" PVC ANTI-SIPHON
PIPE ADAPTER

6" WATERTIGHT ACCESS PORT



FRONT

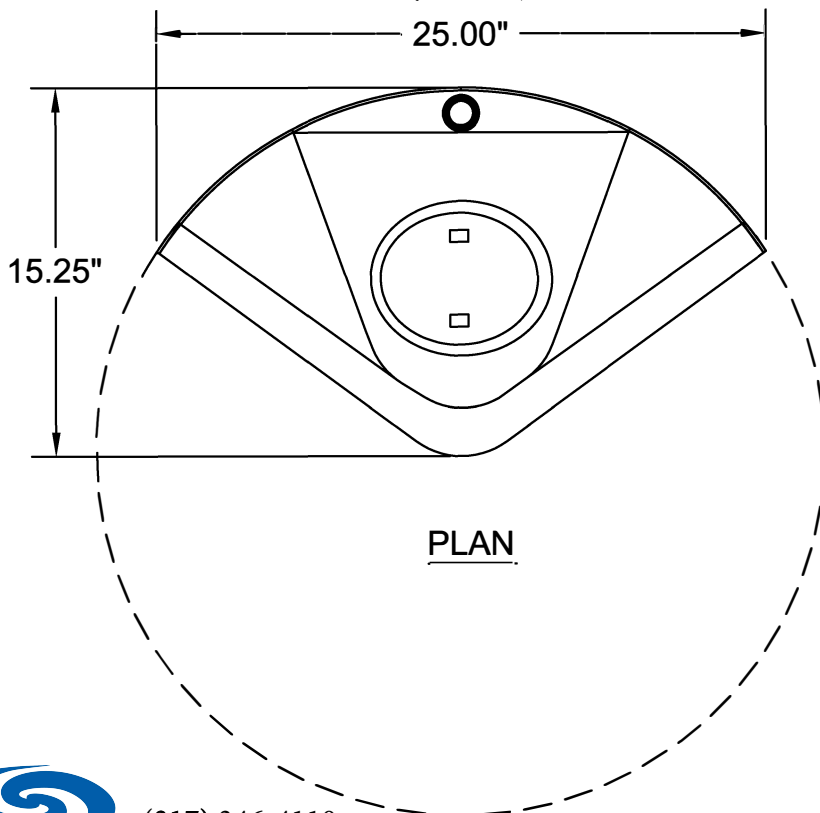
SIDE

ALL FLANGES 1.5"

FOR INSTALLATION IN
30" SDR 35 PVC
CATCHBASIN

NOTE:
RECOMMENDED
SUMP DEPTH IS 48".
36" SUMP MINIMUM.

US PATENT #6126817
CANADA PATENT #2285146



PLAN

BMP, INC.



(317) 346-4110
www.drainagesolutionsinc.com

DESCRIPTION	DATE	SCALE
NP1830R SNOT OIL & DEBRIS STOP	08/08/05	NONE
DRAWING NUMBER		NP1830R