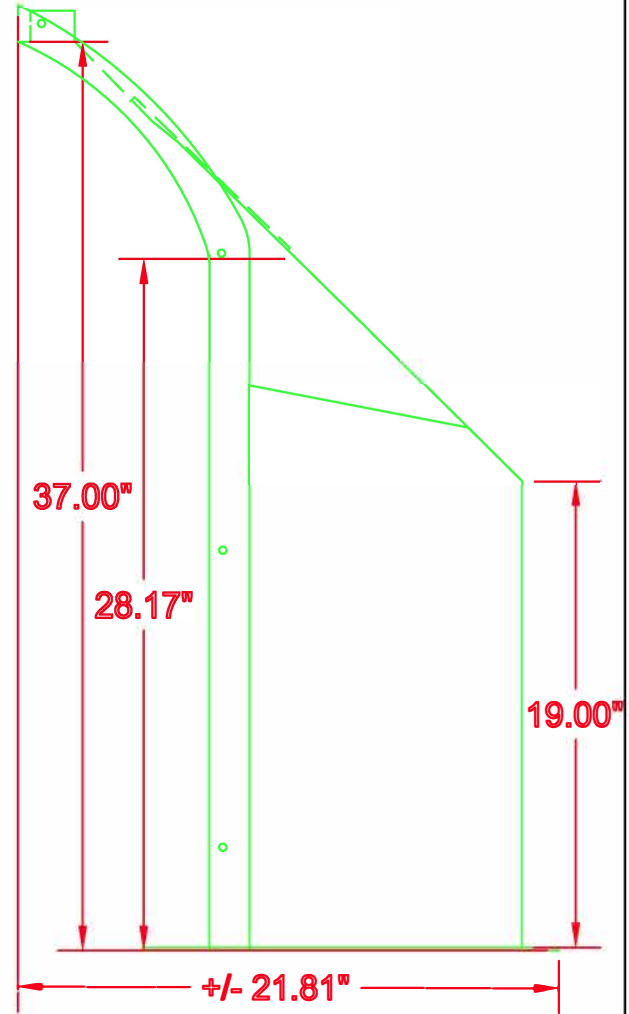
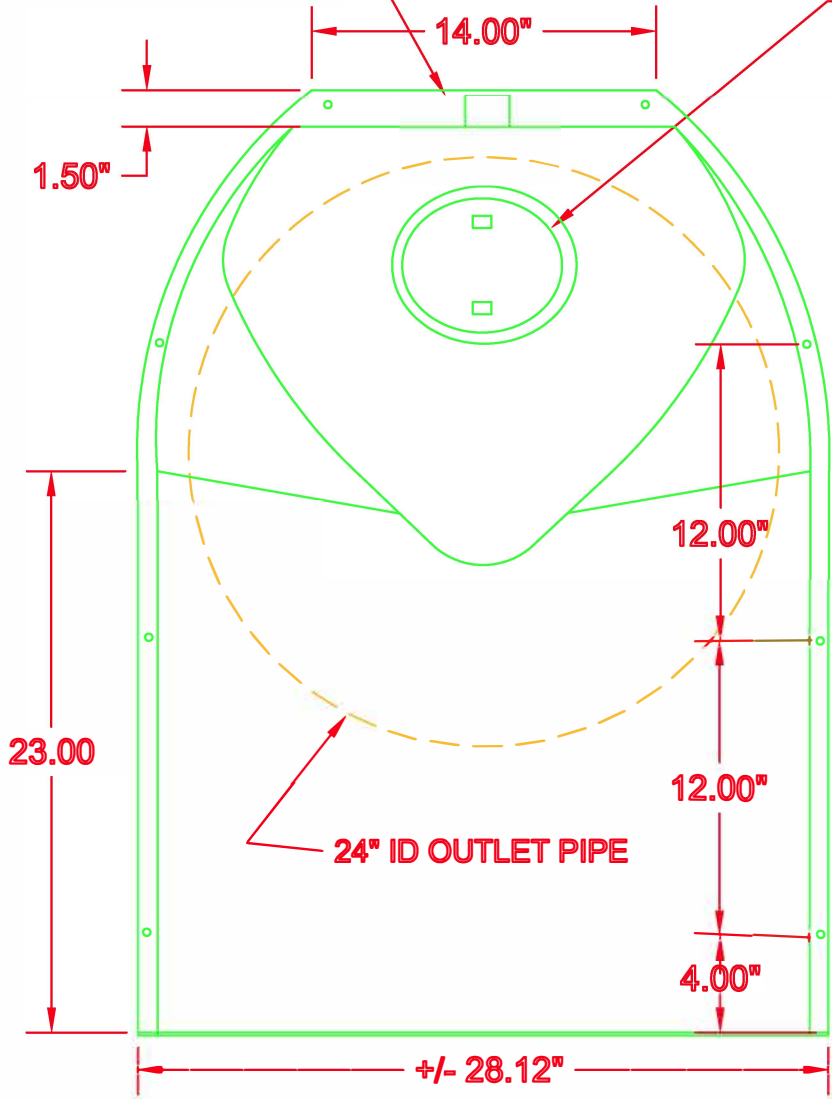


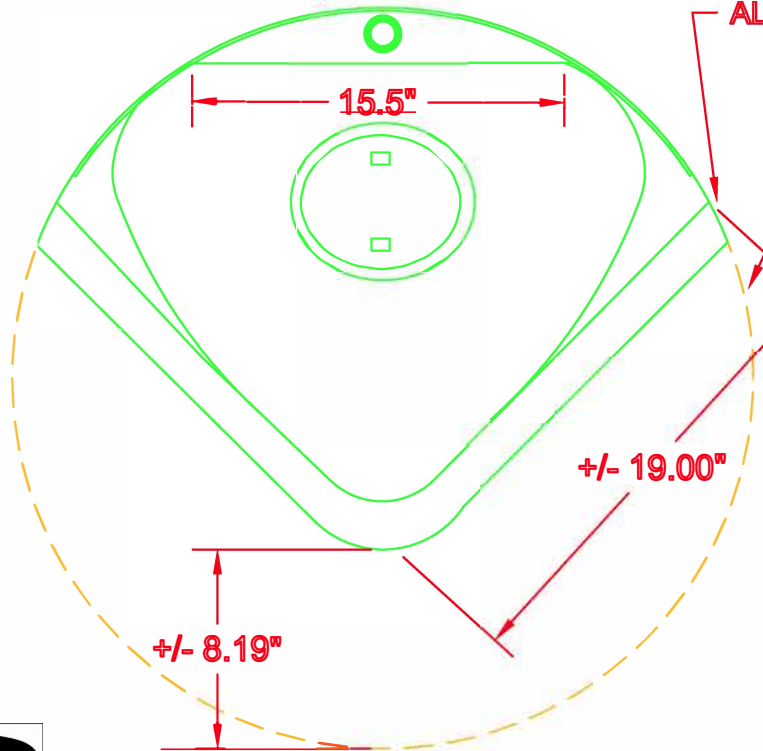
**1" PVC ANTI-SIPHON  
PIPE ADAPTER**

**6" WATERTIGHT ACCESS PORT**



**FRONT**

**SIDE**



**ALL FLANGES 1.5"**

**FOR INSTALLATION IN  
30" SDR 35 PVC  
CATCHBASIN**

**NOTE:  
RECOMMENDED  
SUMP DEPTH IS 60."  
48" MINIMUM.**

**US PATENT #6126817  
CANADA PATENT #2285146**

**BMP, INC.**



(317) 346-4110 **PLAN**  
www.drainagesolutionsinc.com

DESCRIPTION	DATE	SCALE
NP2430R SNOUT OIL & DEBRIS STOP	06/08/06	NONE
DRAWING NUMBER		NP2430R