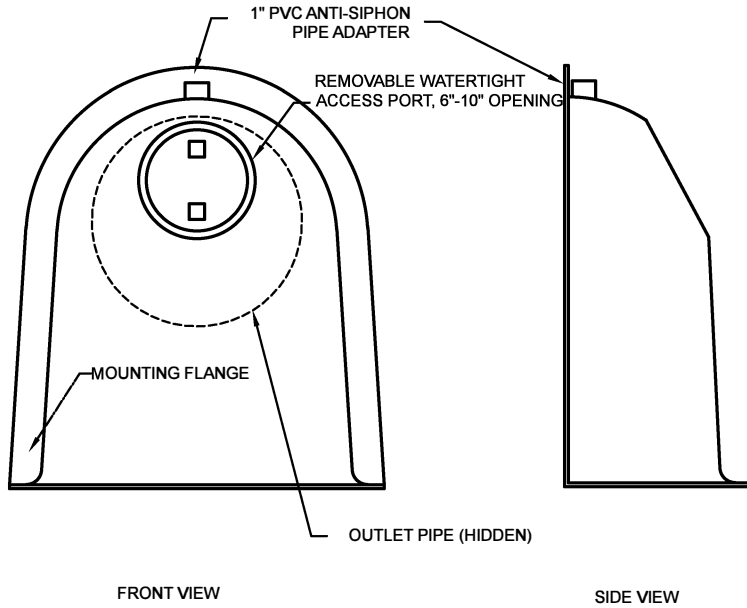


CONFIGURATION DETAIL

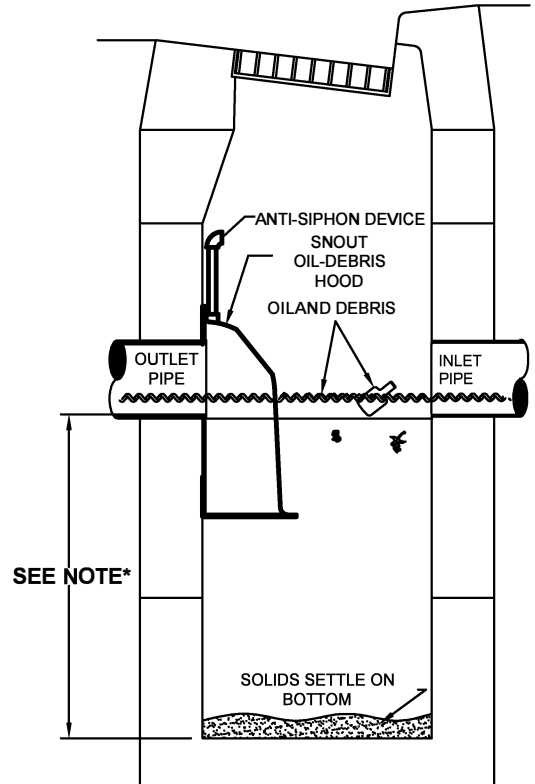


FRONT VIEW

SIDE VIEW

SNOUT OIL-WATER-DEBRIS SEPARATOR

TYPICAL INSTALLATION

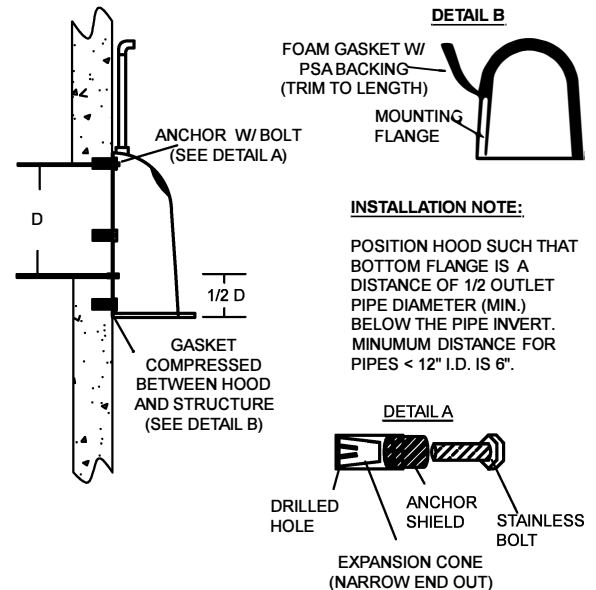


*NOTE- SUMP DEPTH OF 36" MIN. FOR UP TO 12" ID PIPE. OUTLET. FOR PIPES 15" ID AND ABOVE SUMP DEPTH OF 2.5 TO 3 TIMES PIPE ID RECOMMENDED (E.G. 5' DEEP for 24" PIPE)

NOTES:

1. ALL HOODS AND TRAPS FOR CATCH BASINS AND WATER QUALITY STRUCTURES SHALL BE AS MANUFACTURED BY: BEST MANAGEMENT PRODUCTS, INC.
2. ALL HOODS SHALL BE CONSTRUCTED OF A GLASS REINFORCED RESIN COMPOSITE WITH ISO GEL COAT EXTERIOR FINISH WITH A MINIMUM 0.125" LAMINATE THICKNESS.
3. ALL HOODS SHALL BE EQUIPPED WITH A WATERTIGHT ACCESS PORT, A MOUNTING FLANGE, AND AN ANTI-SIPHON VENT PIPE AND ELBOW AS DRAWN. (SEE CONFIGURATION DETAIL)
4. THE SIZE AND POSITION OF THE HOOD SHALL BE DETERMINED BY OUTLET PIPE SIZE AS PER MANUFACTURER'S RECOMMENDATION (SNOUT SIZE ALWAYS LARGER THAN PIPE SIZE).
5. THE BOTTOM OF THE HOOD SHALL EXTEND DOWNWARD A MINIMUM DISTANCE EQUAL TO 1/2 THE OUTLET PIPE DIAMETER WITH A MINIMUM DISTANCE OF 6" FOR PIPES <12" I.D.
6. THE ANTI-SIPHON VENT SHALL EXTEND ABOVE HOOD BY MINIMUM OF 3" AND A MAXIMUM OF 12" ACCORDING TO STRUCTURE CONFIGURATION.
7. THE SURFACE OF THE STRUCTURE WHERE THE HOOD IS MOUNTED SHALL BE FINISHED SMOOTH AND FREE OF LOOSE MATERIAL AND PIPE SHALL BE FINISHED FLUSH TO WALL.
8. ALL STRUCTURE JOINTS SHALL BE WATERTIGHT.
9. THE HOOD SHALL BE SECURELY ATTACHED TO STRUCTURE WALL WITH 3/8" STAINLESS STEEL BOLTS AND OIL-RESISTANT GASKET AS SUPPLIED BY MANUFACTURER. (SEE INSTALLATION DETAIL)
10. INSTALLATION INSTRUCTIONS SHALL BE FURNISHED WITH MANUFACTURER SUPPLIED INSTALLATION KIT.
 INSTALLATION KIT SHALL INCLUDE:
 A. INSTALLATION INSTRUCTIONS
 B. PVC ANTI-SIPHON VENT PIPE AND ADAPTER
 C. OIL-RESISTANT CRUSHED CELL FOAM GASKET WITH PSA BACKING
 D. 3/8" STAINLESS STEEL BOLTS
 E. ANCHOR SHIELDS

INSTALLATION DETAIL



HOOD SPECIFICATION FOR CATCH BASINS AND WATER QUALITY STRUCTURES



(317) 346-4110
 www.drainagesolutionsinc.com

US Patent # 6126817, 7951294, 7857966, 8512556
 Canada Patent # 2285146, 2690156, 2690156 others pending

DESCRIPTION
 OIL- DEBRIS HOOD
 SPECIFICATION AND
 INSTALLATION
 (TYPICAL)

DATE
 09/08/15

SCALE
 NONE

DRAWING NUMBER
SP-SN