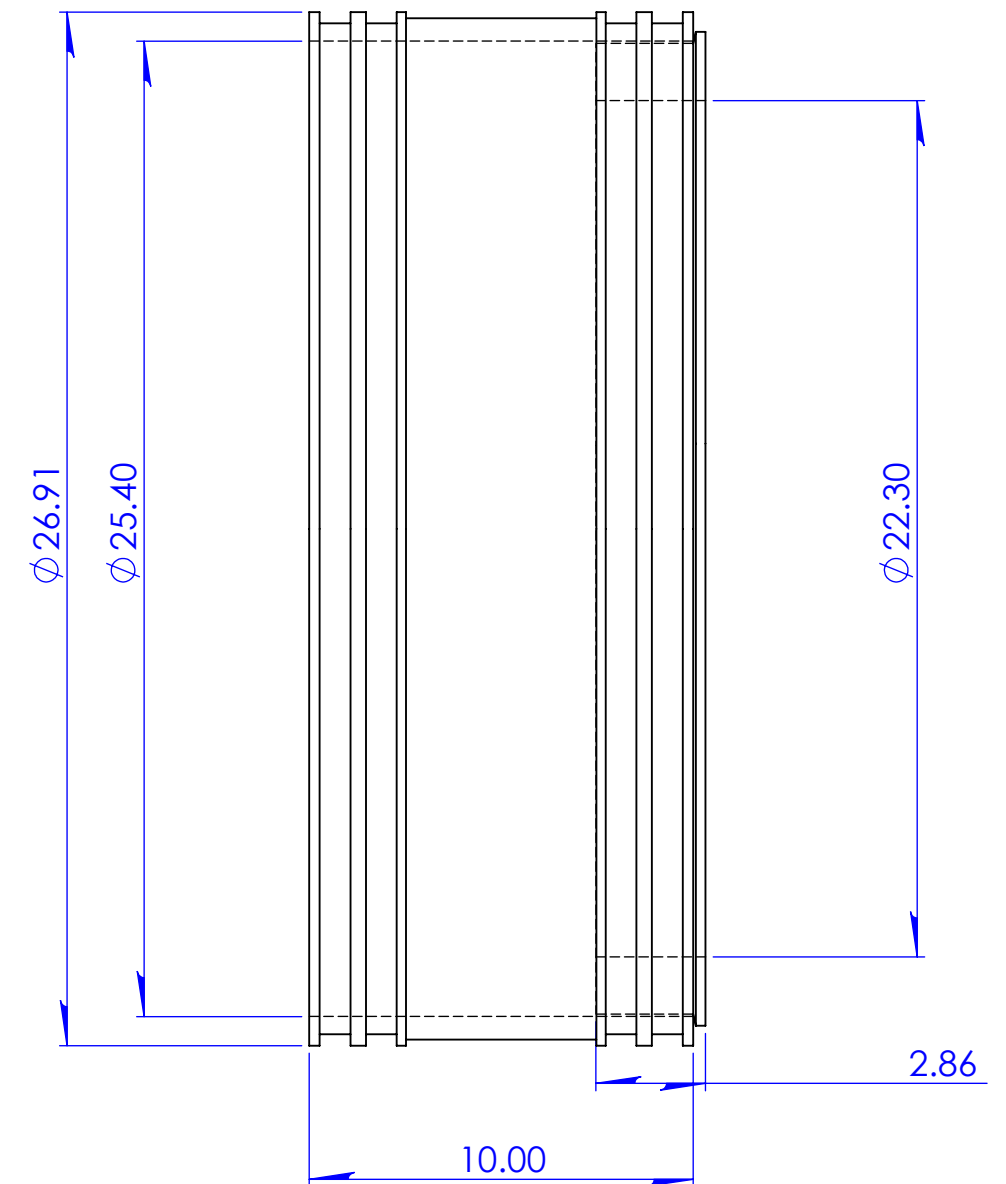
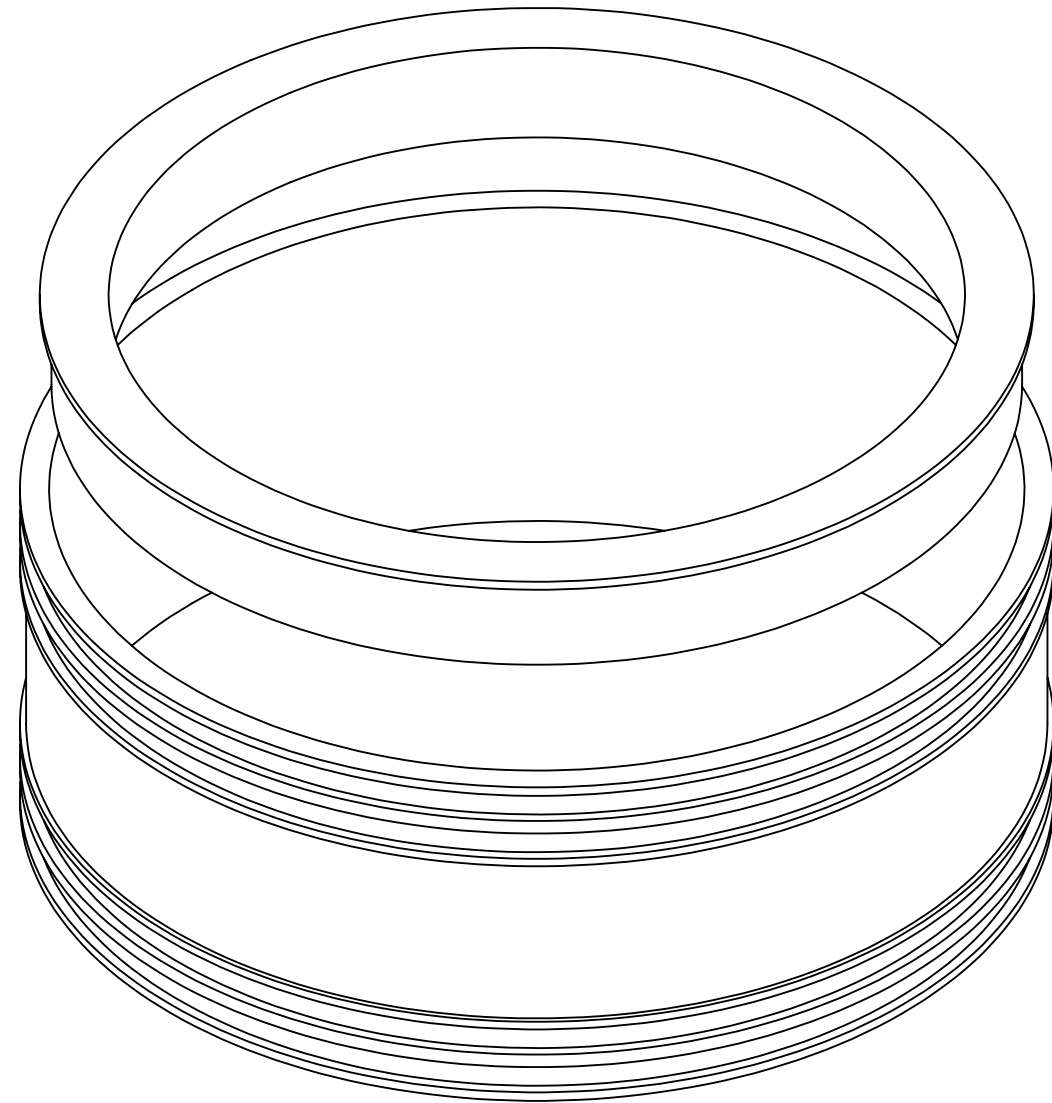


(317) 346-4110  
www.drainagesolutionsinc.com



Note

PROPRIETARY AND CONFIDENTIAL  
THE INFORMATION CONTAINED IN THIS  
DRAWING IS THE SOLE PROPERTY OF  
FERNCO, INC. ANY REPRODUCTION IN  
PART OR AS A WHOLE WITHOUT THE  
WRITTEN PERMISSION OF FERNCO, INC.  
IS PROHIBITED.

TOLERANCES:  
Fractional  $\pm 1/4"$   
.XX =  $\pm .06$   
ANG. =  $\pm 3^\circ$   
UNLESS OTHERWISE SPECIFIED

Part Weight		Installation Torque	120 in lbs	UNITS:	SIZE:	DESIGNER:	SCALE:
Min/Max Temp.	-30/140 Degrees F	Conforms to ASTM	D5926, C1173	INCHES	<b>A</b>	<b>N. Goddard</b>	not to scale
Pressure Tested		Clamps used	300 Series Stainless	3RD ANGLE PROJECTION		CHECKER:	DATE:
Material	Flexible PVC 60 Duro Shore A	Box Quantity		DO NOT SCALE DRAWING			<b>1/5/2016</b>
							<b>SHEET 1 OF 1</b>