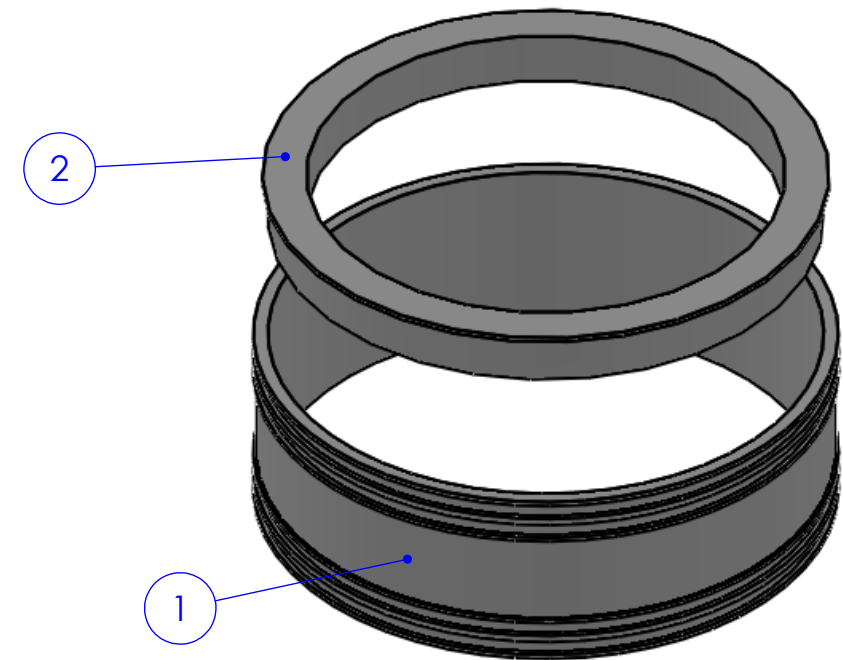
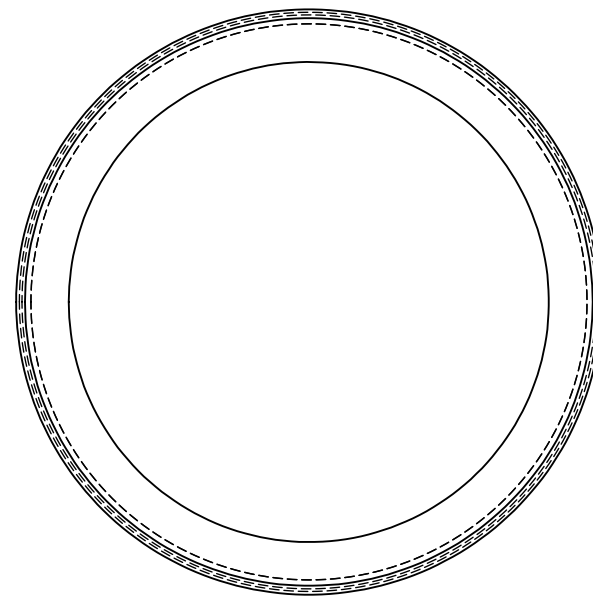
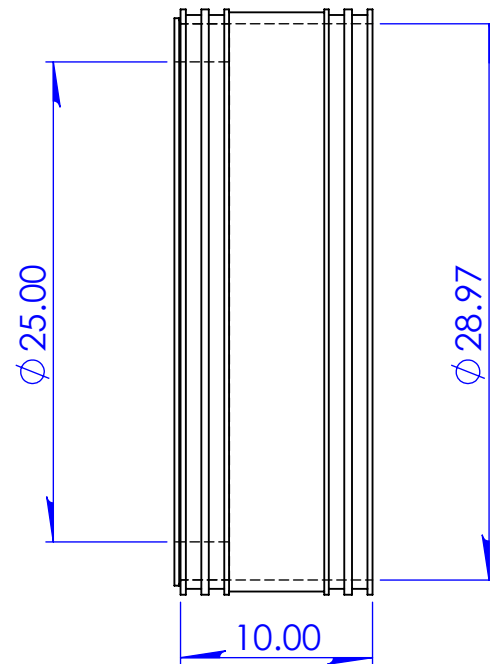


(317) 346-4110
www.drainagesolutionsinc.com



Note

TOLERANCES:
Fractional $\pm 1/4"$
.XX = $\pm .06$
ANG. = $\pm 3^\circ$
UNLESS OTHERWISE SPECIFIED

ITEM NO.	PART NUMBER	DESCRIPTION	QTY.
1	1001-2424	Custom welded LDC 10"	1
2	LDCR 2- 25.00	Custom welded LDCR	1

PROPRIETARY AND CONFIDENTIAL
THE INFORMATION CONTAINED IN THIS
DRAWING IS THE SOLE PROPERTY OF
FERNCO, INC. ANY REPRODUCTION IN
PART OR AS A WHOLE WITHOUT THE
WRITTEN PERMISSION OF FERNCO, INC.
IS PROHIBITED.

Part Weight		Installation Torque	120 in lbs	UNITS:	SIZE:	DESIGNER:	SCALE:
Min/Max Temp.	-30/140 Degrees F	Conforms to ASTM	D5926, C1173	INCHES	A	N. Goddard	not to scale
Pressure Tested		Clamps used	300 Series Stainless	3RD ANGLE PROJECTION		CHECKER:	DATE:
Material	Flexible PVC 60 Duro Shore A	Box Quantity		DO NOT SCALE DRAWING			1/8/2016
							SHEET 1 OF 1