



300 S. DAYTON ST.  
 DAVISON, MI 48423  
 PH: 810-653-9626  
 FAX: 810-654-2616

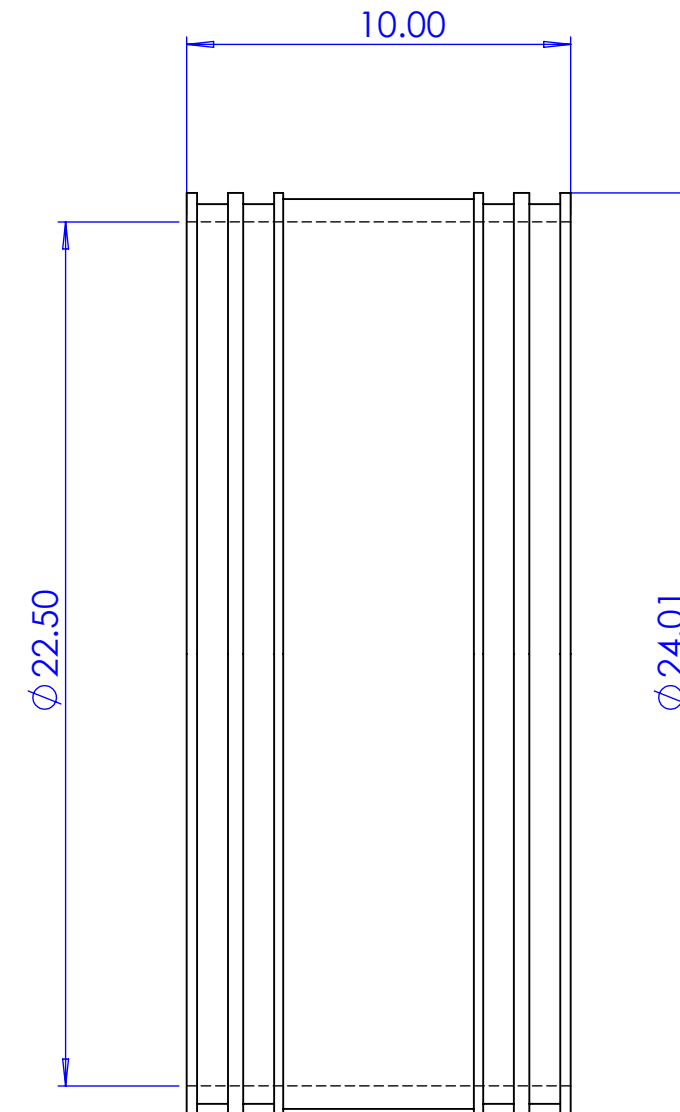
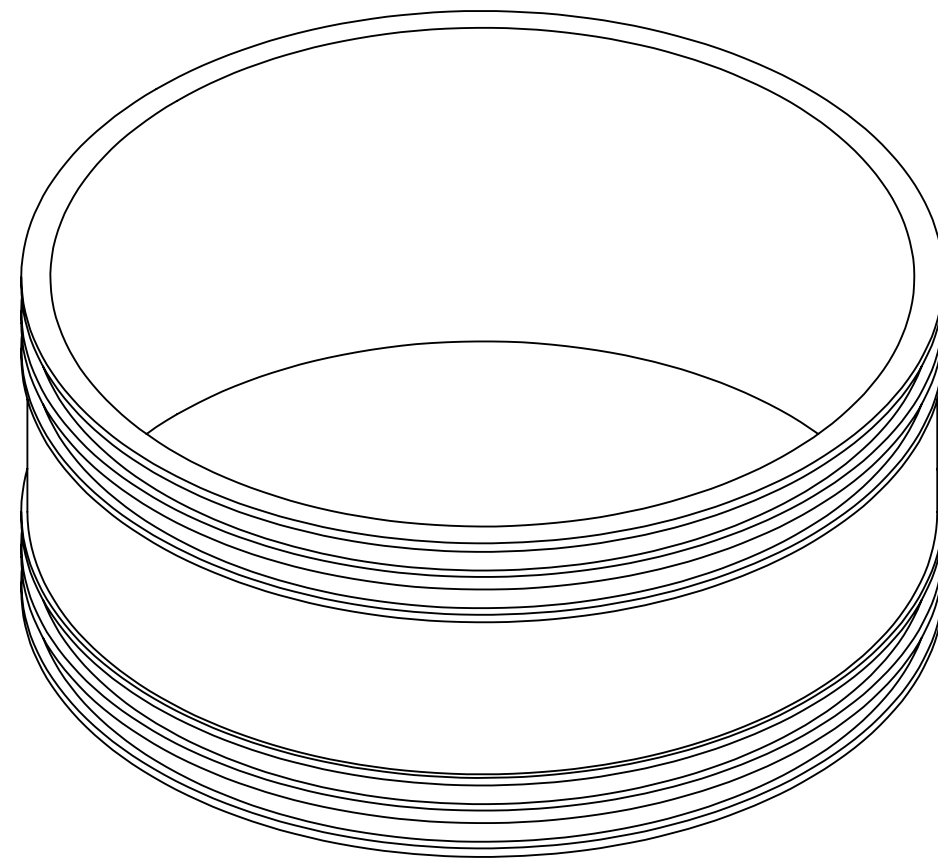
1056-2121

DESCRIPTION:  
 Coupling 21" Cast Iron, Plastic and Steel x 21" Cast  
 Iron, Plastic and Steel.



**DRAINAGE  
 SOLUTIONS, INC**

(317) 346-4110  
 www.drainagesolutionsinc.com



PROPRIETARY AND CONFIDENTIAL  
 THE INFORMATION CONTAINED IN THIS  
 DRAWING IS THE SOLE PROPERTY OF  
 FERNCO, INC. ANY REPRODUCTION IN  
 PART OR AS A WHOLE WITHOUT THE  
 WRITTEN PERMISSION OF FERNCO, INC.  
 IS PROHIBITED.

**TOLERANCES:**  
 .X= Fractional  $\pm$   
 .XX=  $\pm .06$   
 ANG.=  $\pm 3^\circ$   
 UNLESS OTHERWISE SPECIFIED

Part Weight	16.98 lbs.	Installation Torque	120 in lbs
Min/Max Temp.	-30/140 Degrees F	Conforms to ASTM	D5926, C1173
Pressure Tested	4.3 PSI	Clamps used	300 Series Stainless
Material	Flexible PVC 60 Duro Shore A	Box Quantity	

UNITS:	SIZE:
INCHES	<b>A</b>
3RD ANGLE PROJECTION	
DO NOT SCALE DRAWING	

DESIGNER:	DATE:
N. Goddard	1/8/2016
CHECKER:	

SCALE:
not to scale
SHEET 1 OF 1