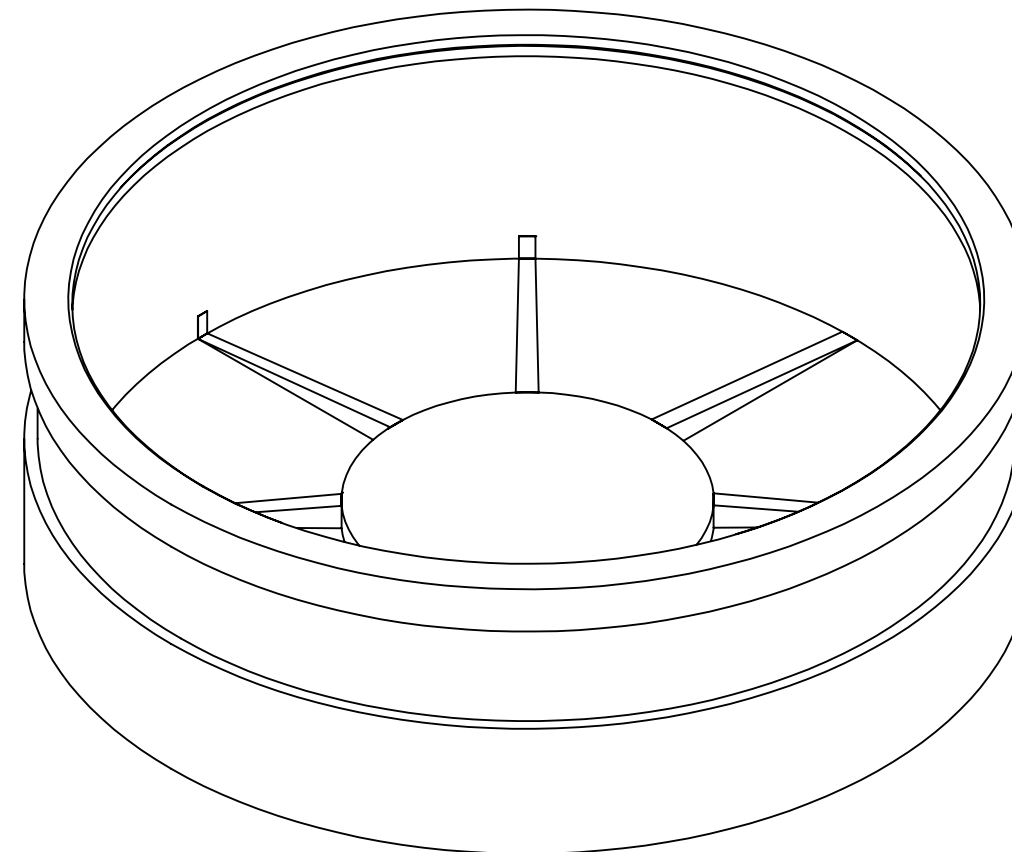
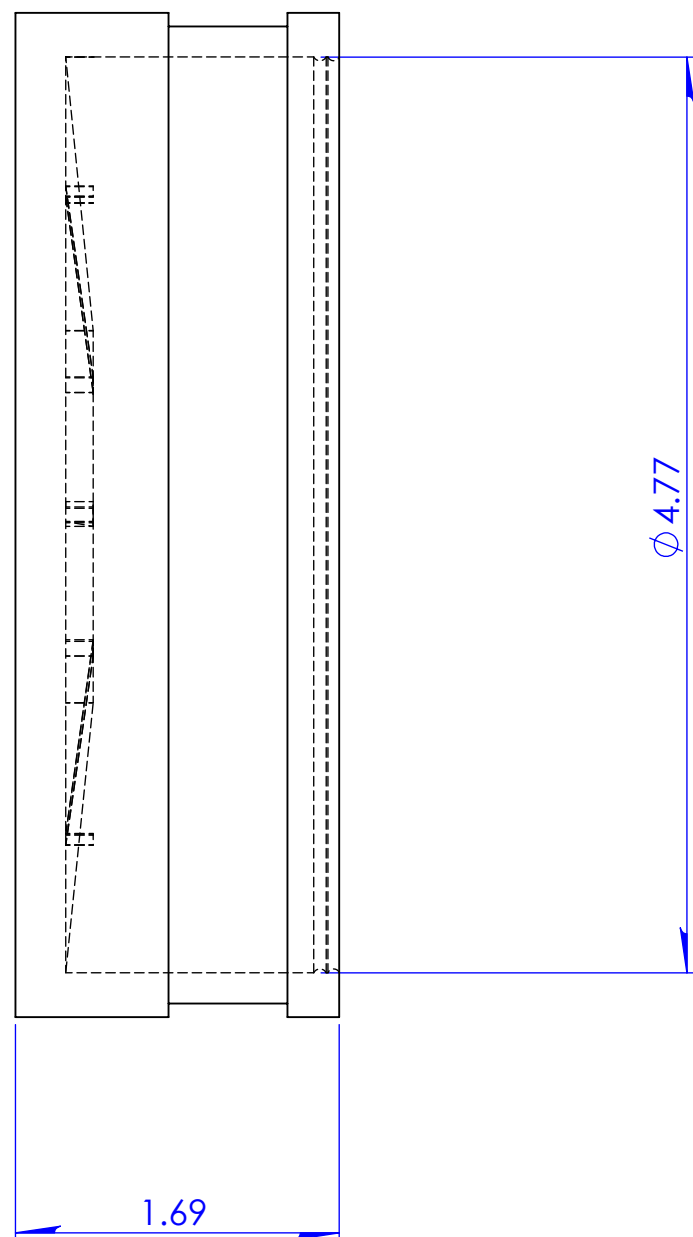




300 S. DAYTON ST.
 DAVISON, MI 48423
 PH: 810-653-9626
 FAX: 810-654-2616

QC-4.75

DESCRIPTION: Cap



(317) 346-4110
 www.drainagesolutionsinc.com

PROPRIETARY AND CONFIDENTIAL
 THE INFORMATION CONTAINED IN THIS
 DRAWING IS THE SOLE PROPERTY OF
 FERNCO, INC. ANY REPRODUCTION IN
 PART OR AS A WHOLE WITHOUT THE
 WRITTEN PERMISSION OF FERNCO, INC.
 IS PROHIBITED.

TOLERANCES:
 .X= Fractional \pm
 .XX= $\pm .06$
 ANG.= $\pm 3^\circ$
 UNLESS OTHERWISE SPECIFIED

Part Weight	0.47 lbs.	Installation Torque	60" Lbs.	UNITS:	SIZE:	DESIGNER:	SCALE:
Min/Max Temp.	-30/140 Degrees F	Conforms to ASTM	D5926	INCHES	A	D. Brady	not to scale
Pressure Tested	4.3 PSI	Clamps used	300 Series Stainless	3RD ANGLE PROJECTION		CHECKER:	DATE:
Material	Flexible PVC 60 Duro Shore A	Box Quantity		DO NOT SCALE DRAWING			10/11/2012
							SHEET 1 OF 1