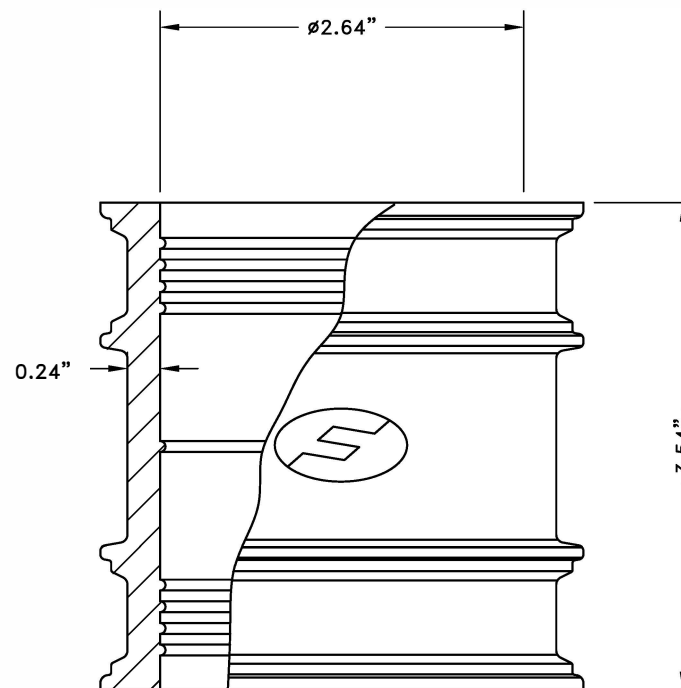
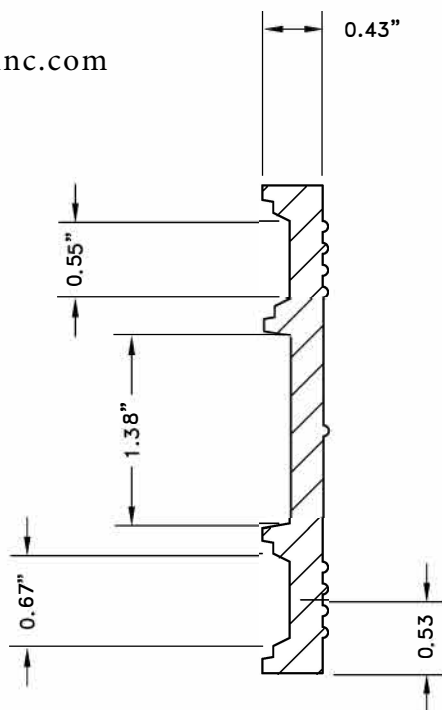




**DRAINAGE
SOLUTIONS, INC**

(317) 346-4110

www.drainagesolutionsinc.com



NOTES:

MATERIAL: CLASS 60IRHD ELASTOMER TO FERNCO SPECIFICATION
TOLERANCES: TO ISO 3302:PART 1:1996 CLASS M3 UNLESS STATED

DIMENSIONS: ALL INCHES UNLESS STATED

INCLUDES: 316SS SHIELD & CLAMPS
CHEMICAL RESTANT FEP SLEEVE & PTFE SEALS

INSTALLATION: TORQUE TO 60 in-lb

Part No: CC65G
Description: 2" PL/CI/GL or 1 1/2" DU

CHEMICAL COUPLING

Revised By: PJS
Date: 05/08/2017



Fernco Inc.
Davison, MI.
Tel: (810) 503-9000
www.fernco.com

NOT TO SCALE