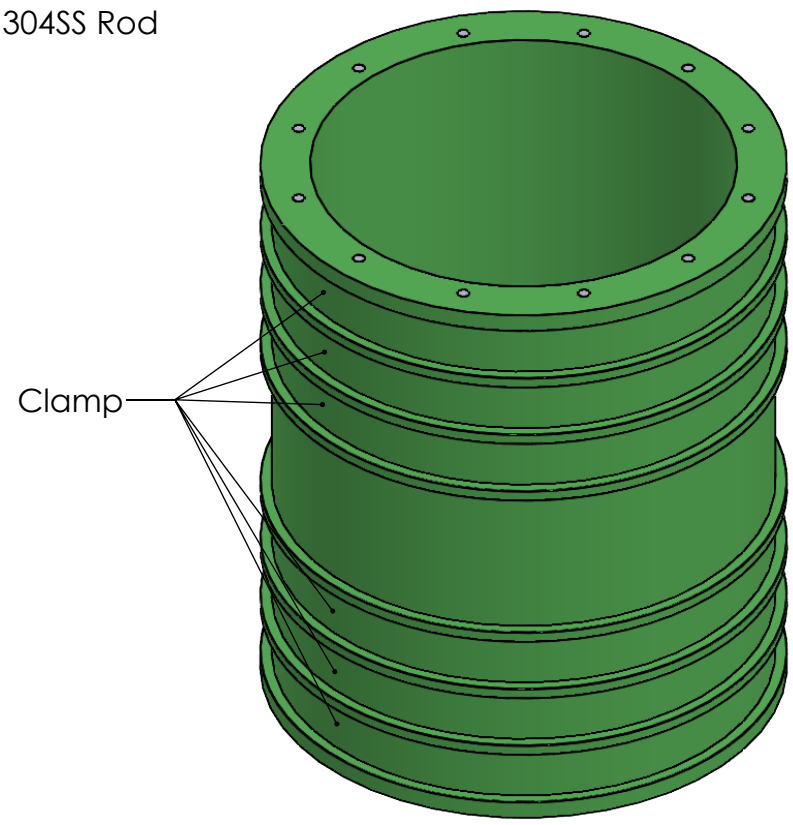
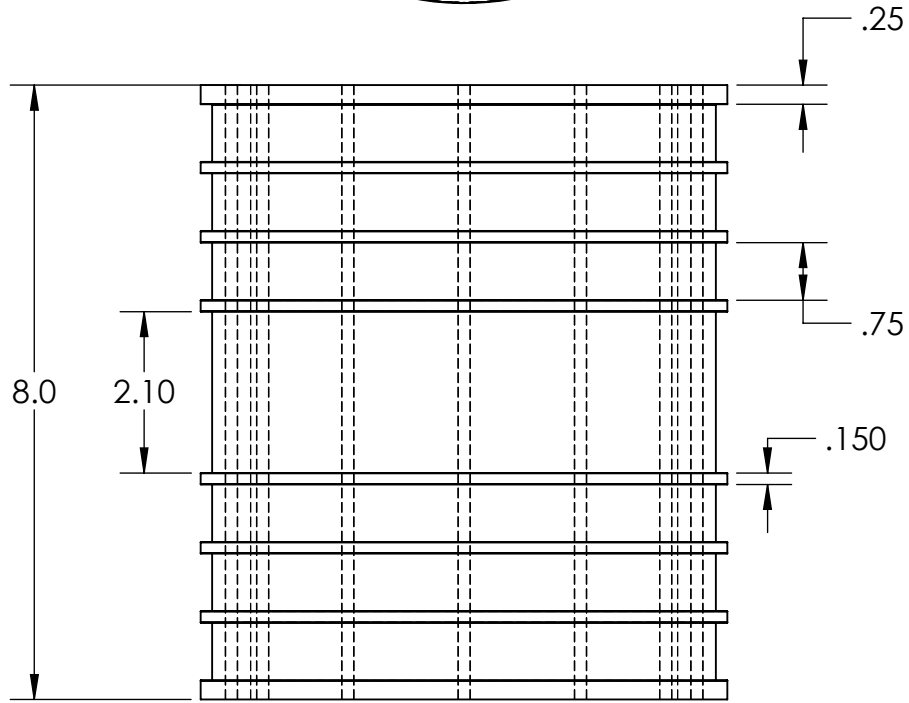
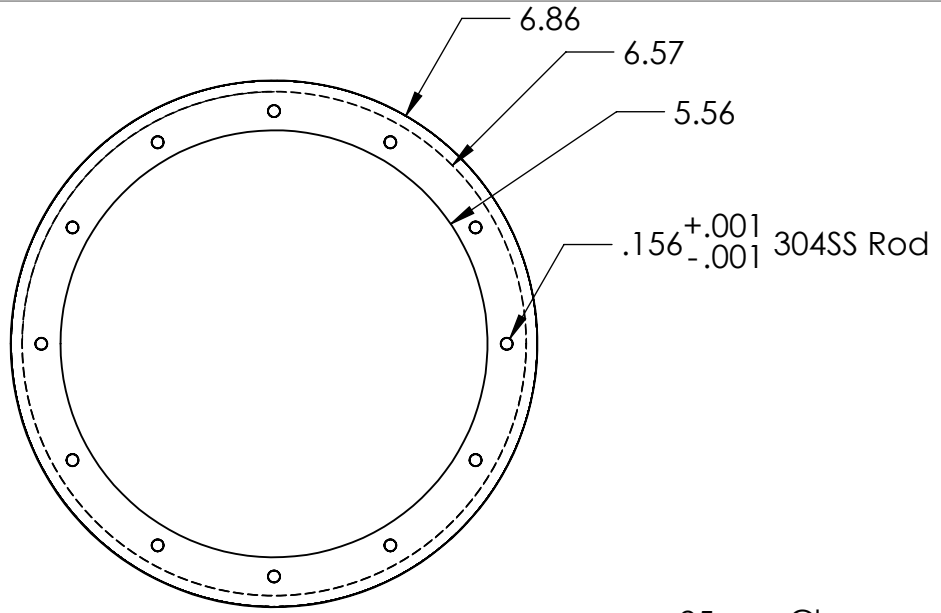


(317) 346-4110
 www.drainagesolutionsinc.com



U.S. Pat. No. D956937

Dimensional Range 5.6 to 4.2 Inch

<p>The Information Contained in this Drawing is the Sole Property of Fernco. Any Reproduction in Part or in Whole without Written Permission is Prohibited.</p>	<p>Gasket Material - Green Flexible PVC, 65 Shore A Clamps - 6 pcs 300SS HT, Installation Torque 120 in-lb Complies with - ASTM D5926, C1173 Min/Max Temp - (-)30F to 140F Sanitary and Storm Sewer Below Ground Use Only</p>		<p>Tolerance: Angle 3 deg .X = 0.125 .XX = 0.03 .XXX = 0.010</p> <p>Dimensions are in inches Do Not Scale SHEET 1 OF 1</p>	<p>Drawn by: AJD DATE: 7/13/2022</p>	<p>Part Number: HULK4 Description: 4" Multi-Range Coupling</p>
---	---	--	--	--	---