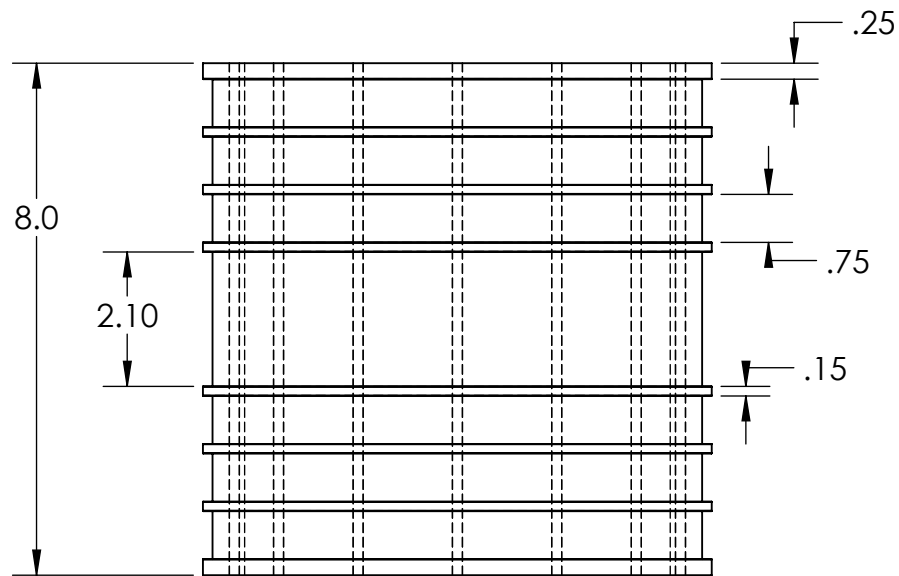
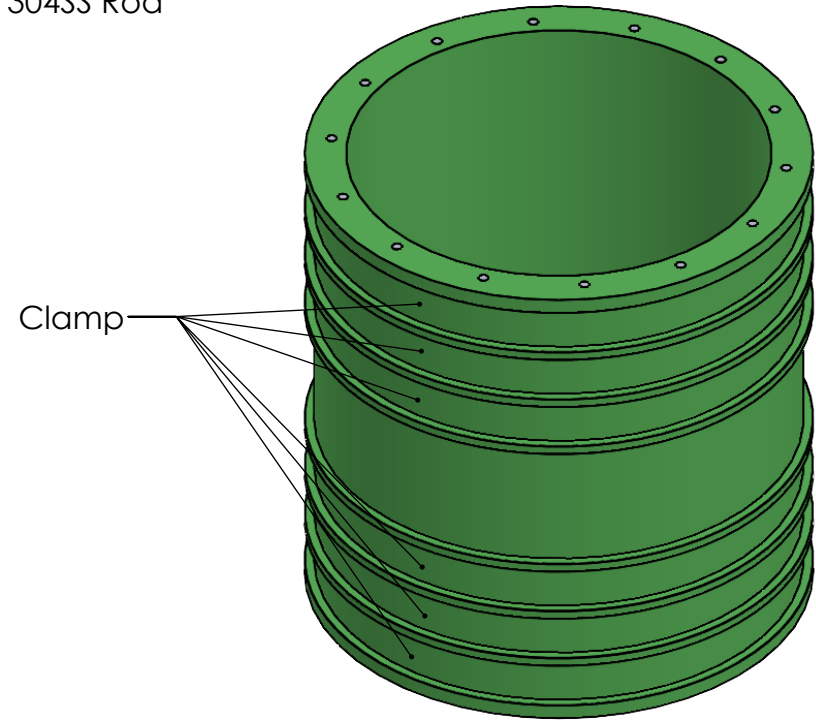
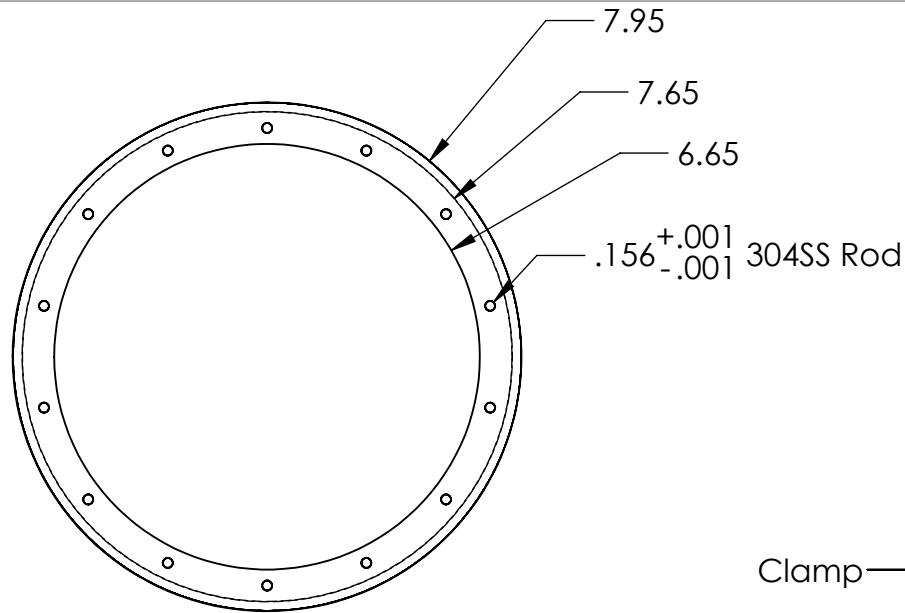


(317) 346-4110
 www.drainagesolutionsinc.com



U.S. Pat. No. D956937

Dimensional Range 6.7 to 5.3 Inch

The Information Contained in this Drawing is the Sole Property of Fernco. Any Reproduction in Part or in Whole without Written Permission is Prohibited.

Gasket Material - Green Flexible PVC, 65 Shore A
 Clamps - 6 pcs 300SS HT, Installation Torque 120 in-lb
 Complies with - ASTM D5926, C1173
 Min/Max Temp - (-)30F to 140F
 Sanitary and Storm Sewer Below Ground Use Only



Tolerance:
 Angle 3 deg
 .X = 0.125
 .XX = 0.03
 .XXX = 0.010

Dimensions are in Inches
 Do Not Scale
 SHEET 1 OF 1

Drawn by: **AJD**
 DATE: 7/13/2022

Part Number: **HULK5**
 Description: **5" Multi-Range Coupling**