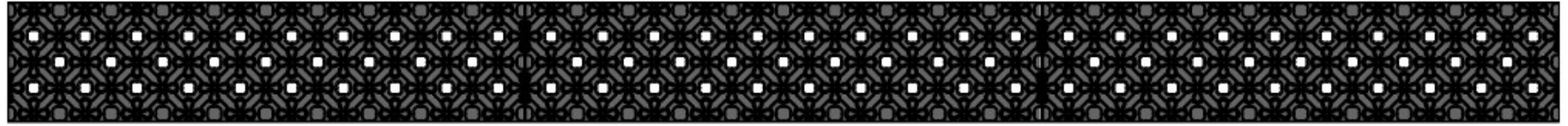
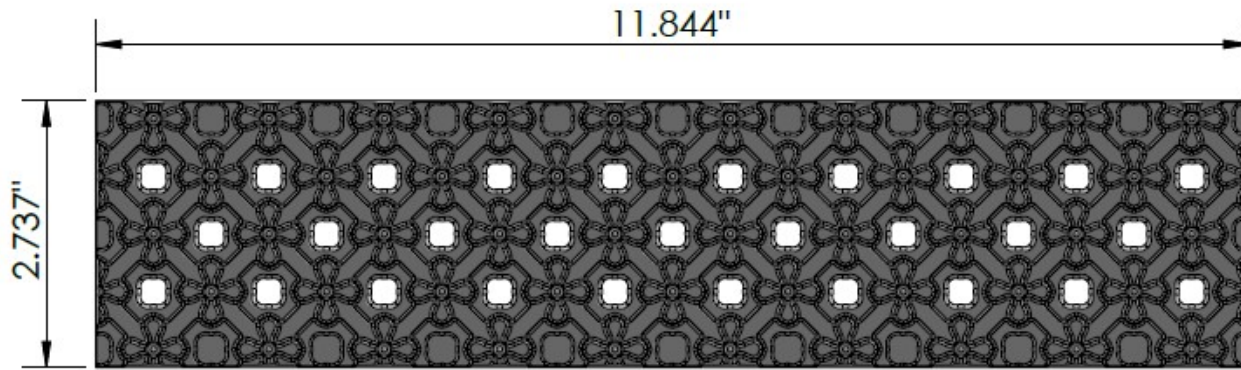


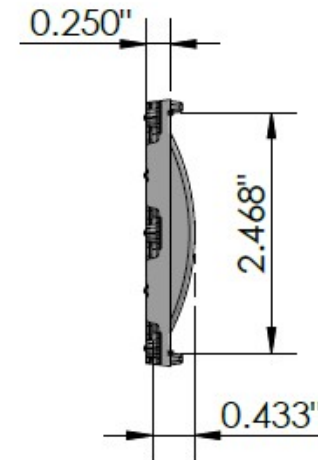
**3 ARRAY**  
scale 1:4



**TOP VIEW**  
scale 1:2



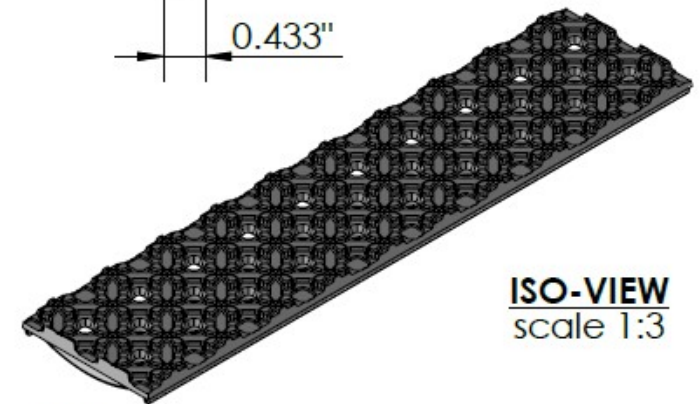
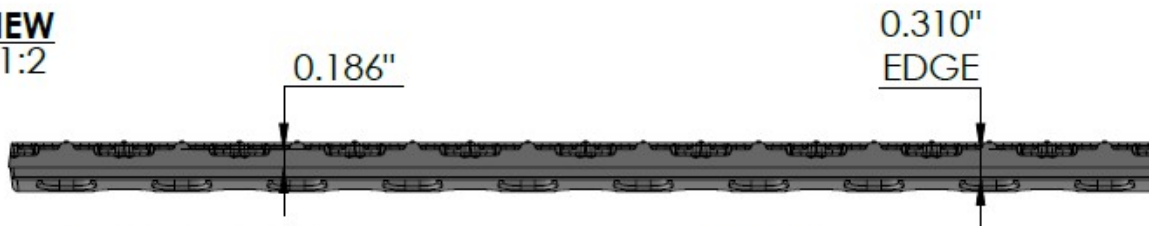
**END VIEW**  
scale 1:2



**CASTING-ID**  
scale 1:1.5



**SIDE VIEW**  
scale 1:2



**ISO-VIEW**  
scale 1:3

(317)346-4110  
www.drainagesolutionsinc.com



**Flower Grid 3" x 12" Trench Grate**

**NOTES:**

1. ADA Compliant: No thru openings greater than 1/2".
2. Ships in pieces: 1
3. Due to casting inconsistencies, all dimensions are nominal.

Made in USA ©2022 Iron Age Designs

**IRON AGE**  
**DESIGNS**  
Telephone 206.276.0925  
www.ironagegrates.com

Material: Cast Bronze C87500	Weight: 2.68 lbs.	Free Drain Area: 1.91 in/sq., or 5.90 %	By: MS	Checked: MS	Date: 5-9-22
Finish: Raw	Edge: 0.310"	Flow Rate: 2.50 GPM, or .005 CuFt./sec.	© Registration: Pending	Scale: NTS	
Fits: NDS® NDS® Mini Channel	Product ID: FGN3-12B01	Drawing Name: 01_FlowerGrid_N_3x12_TrenchGrate_Bronze			