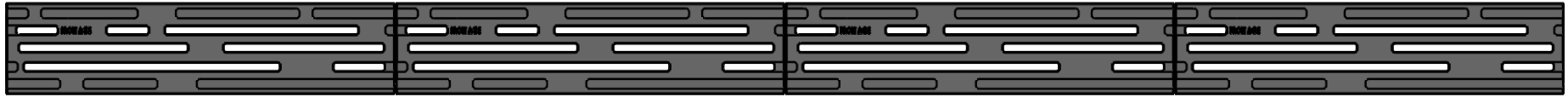
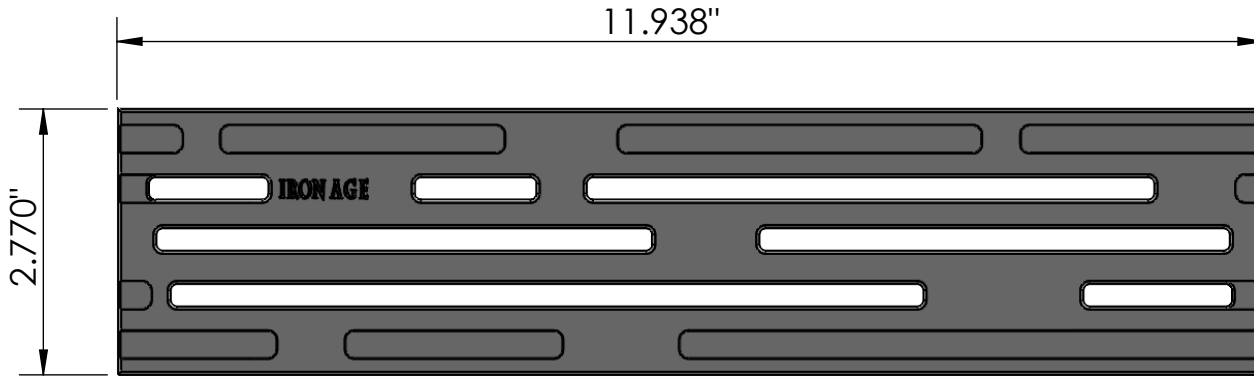


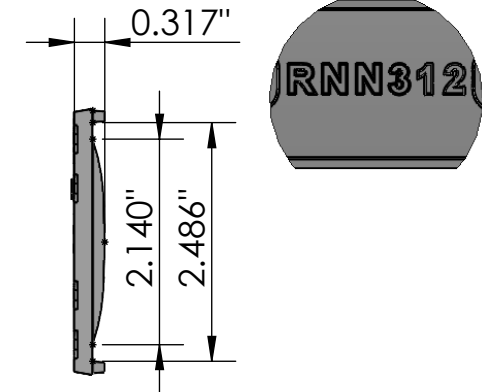
4 ARRAY
scale 1:5



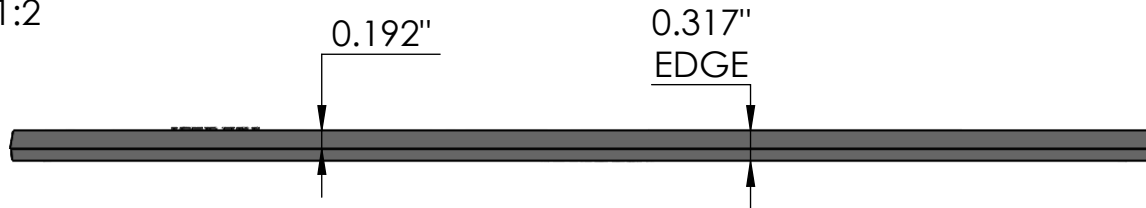
TOP VIEW
scale 1:2



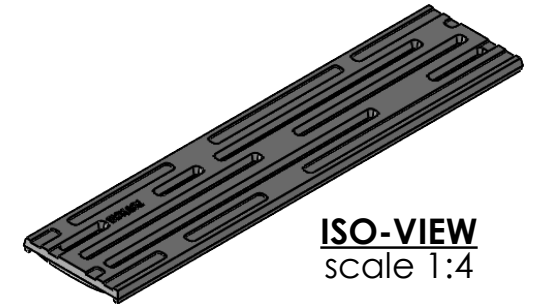
CASTING-ID
scale 1:1



SIDE VIEW
scale 1:2



DRAINAGE SOLUTIONS, INC (317)346-4110
www.drainagesolutionsinc.com



ISO-VIEW
scale 1:4

NOTES:

1. Heelproof: No thru openings greater than ¼".
2. Ships in 1 piece.
3. Due to casting inconsistencies, all dimensions are nominal.
4. Pedestrian Load Only.

Made in USA ©2016 Iron Age Designs

Rain 3" x 12" Heel Proof Trench Grate



Material: Cast Ductile Iron 65-45-12	Weight: 1.60 lbs.	Free Drain Area: 6.38 in/sq.	19.31 %	By: MS	Checked: MS	Date: 8-27-20
Finish: Raw	Edge: .317"	Flow Rate: 8.36 GPM	.018 CuFt/Sec	© Registration: VA 2-112-756		Scale: NTS
Fits: NDS® Mini Channel	Product ID: RNN3-12I01HP	Drawing Name: 02-RAI.N.3x12_HP_Iron				