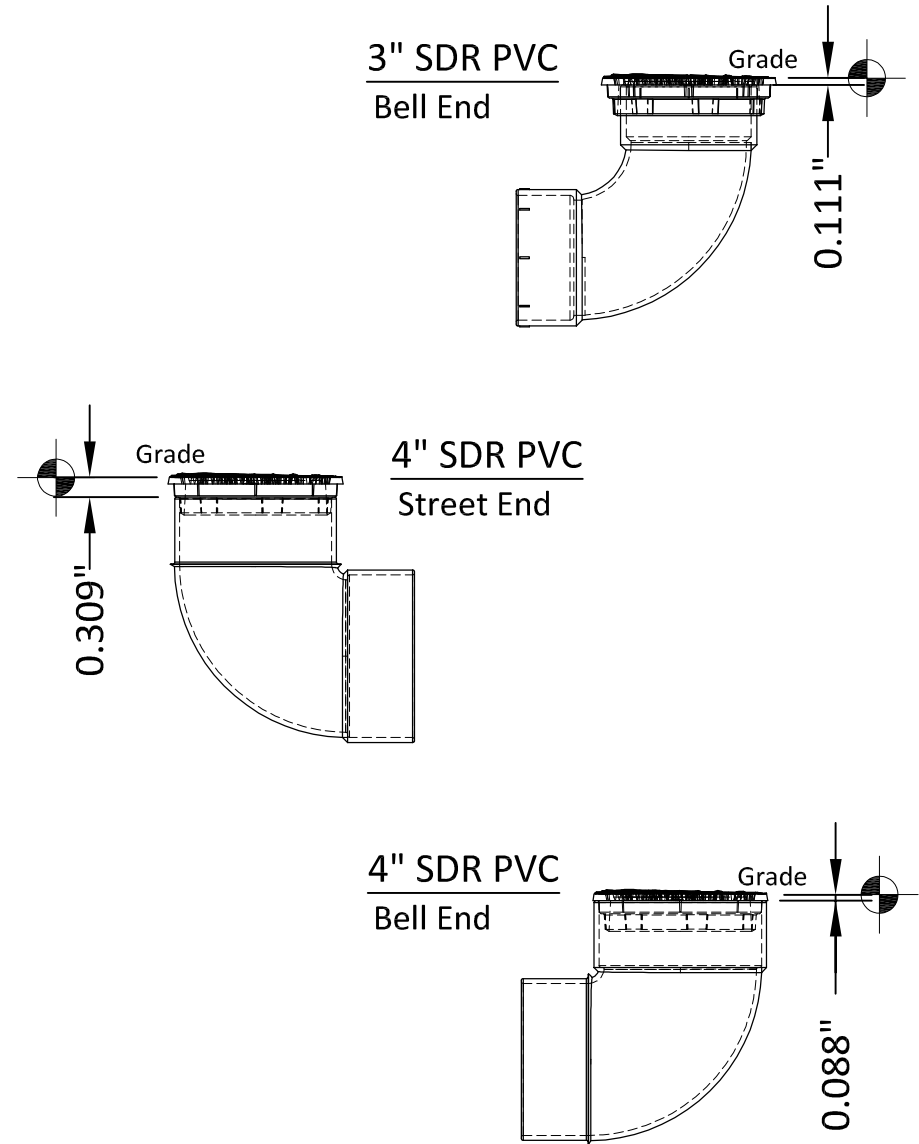


**DRAINAGE SOLUTIONS, INC.** (317) 346-4110  
www.drainagesolutionsinc.com

### Locust 4" dia. Pipe Grate



**NOTES:**

1. ADA Compliant; No Thru Openings greater than 1/2"
2. Ships in 1 piece

Made in USA

©2013 Iron Age Designs

**IRON AGE DESIGNS**  
Telephone 206.276.0925  
www.ironagegrates.com

<b>Material:</b> Ductile Iron 65-45-12	<b>Weight:</b> 1 lbs	<b>Free Drain Area:</b> 4.37 in./sq. or 27.52%	<b>By:</b> JH	<b>Date:</b> 5-6-21
<b>Finish:</b> Raw	<b>Edge:</b> varies	<b>Flow Rate:</b> 5.72 GPM, or .0127 Cuft./sec.	Reg.: VA 1-964-891	<b>Scale:</b> 1:1
<b>Fits:</b> Various 4" & 3" PVC	<b>Product ID:</b> LX4DIA199PG	<b>Drawing Name:</b> 004-Locust 4in		Page 1