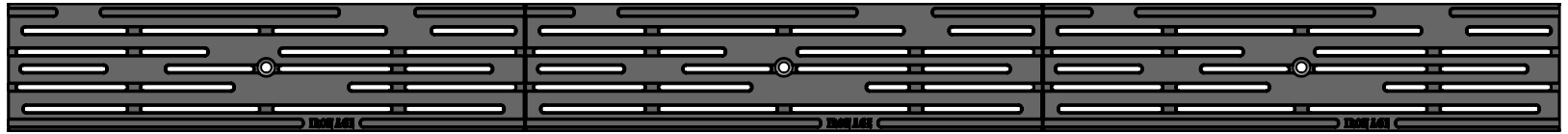


**3 ARRAY**  
scale 1:7

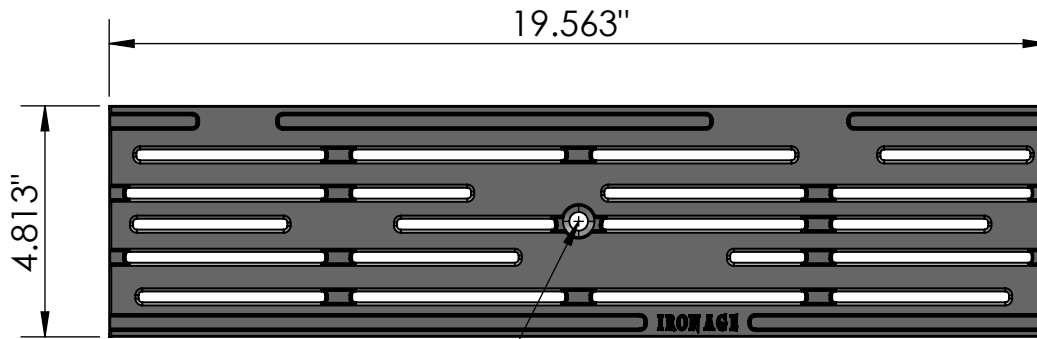
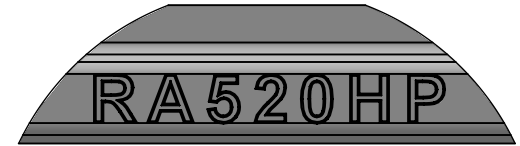


**TOP VIEW**  
scale 1:4



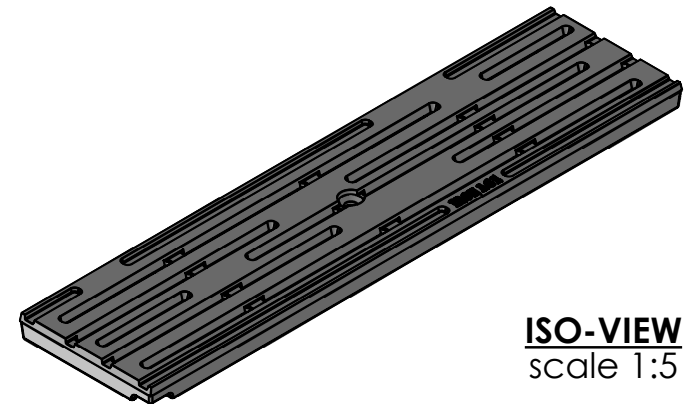
(317)346-4110  
www.drainagesolutionsinc.com

**CASTING-ID**  
scale 1:1



1/4"-20  
Counter Sunk  
Mach. Screw

**SIDE VIEW**  
scale 1:4




**ISO-VIEW**  
scale 1:5

**NOTES:**

1. Heelproof: No thru openings greater than 1/4".
2. Ships in pieces: 1
3. Due to casting inconsistencies, all dimensions are nominal.

Made in USA ©2015 Iron Age Designs

**Rain 5" x 20" Trench Grate - Heel Proof**

 <b>IRON AGE DESIGNS</b> Telephone 206.276.0925 www.ironagegrates.com	<b>Material:</b> Ductile Iron 65-45-12	<b>Weight:</b> 8.61 lbs.	<b>Free Drain Area:</b> 16.64 in/sq., or 17.68 %	<b>By:</b> MS <b>Checked:</b> MS <b>Date:</b> 3-29-22
	<b>Finish:</b> Raw	<b>Edge:</b> 0.8125"	<b>Flow Rate:</b> 21.80 GPM, or .048 CuFt./sec.	<b>© Registration:</b> VA 1-990-521 <b>Scale:</b> NTS
	<b>Fits:</b> ABT® PolyDrain® MEA® 1000 Series ACO™ K100, K100S, KS100	<b>Product ID:</b> RNA5-20I21HP	<b>Drawing Name:</b> 010_RAI_N_5x20HP_TrenchGrate_Romac	