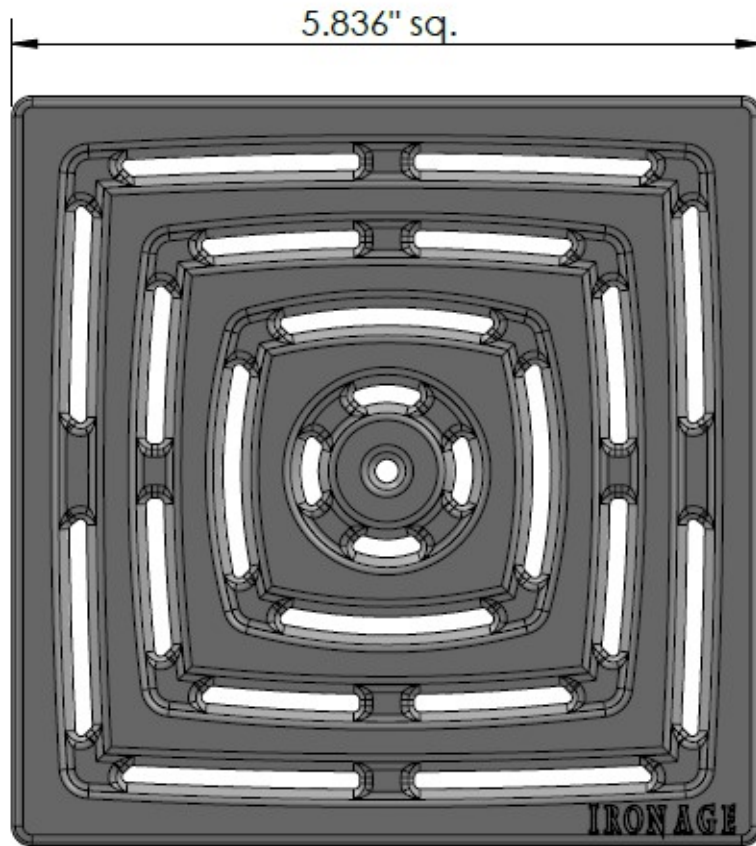


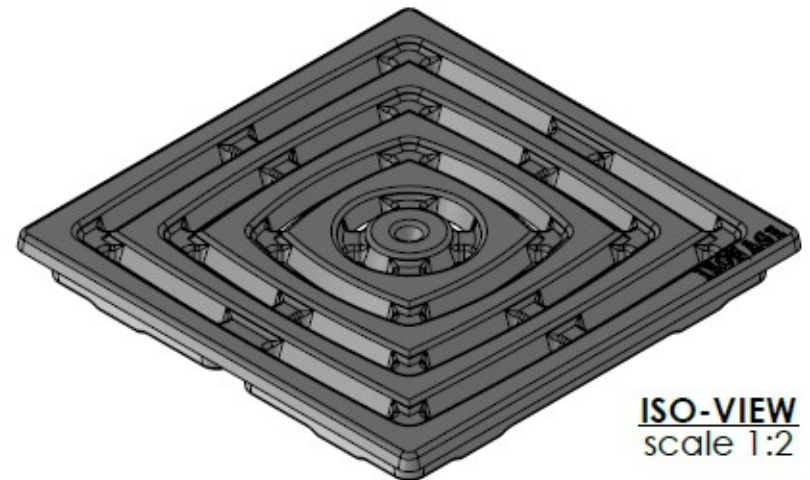
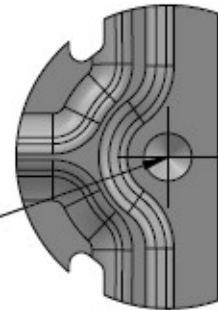
**TOP VIEW**  
scale 2:3



**CASTING-ID**  
scale 2:3

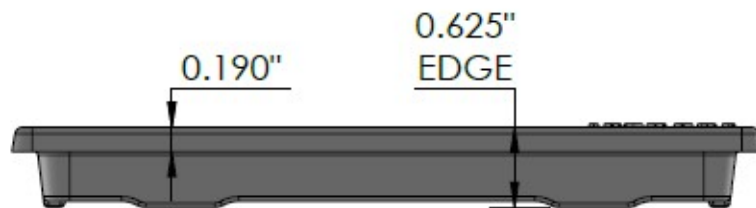


2 Drill Points  
for 6-32 x .500"  
Machine Screws



**ISO-VIEW**  
scale 1:2

**SIDE VIEW**  
scale 2:3




(317)346-4110  
www.drainagesolutionsinc.com

**Divisadero 6" x 6" Catch Basin Grate - Heel Proof**

**NOTES:**

1. Heelproof: No thru openings greater than 1/4".
2. Ships in pieces: 1
3. Due to casting inconsistencies, all dimensions are nominal.

Made in USA ©2021 Iron Age Designs

 <b>IRON AGE DESIGNS</b> Telephone 206.276.0925 www.ironagegrates.com	Material: Ductile Iron 65-45-12	Weight: 2.06 lbs.	Free Drain Area: 4.61 in/sq., or 13.56 %	By: MS	Checked: MS	Date: 1-11-23
	Finish: Raw	Edge: 0.625"	Flow Rate: 6.05 GPM, or .013 CuFt./sec.	© Registration: VA 2-330-301		Scale: NTS
	Fits: NDS®- 640 Drain Body	Product ID: DIN6-6I07HP	Drawing Name: 01_Div_N_6x6HP_CatchBasin_Iron			