

3 GRATES ARRAYED



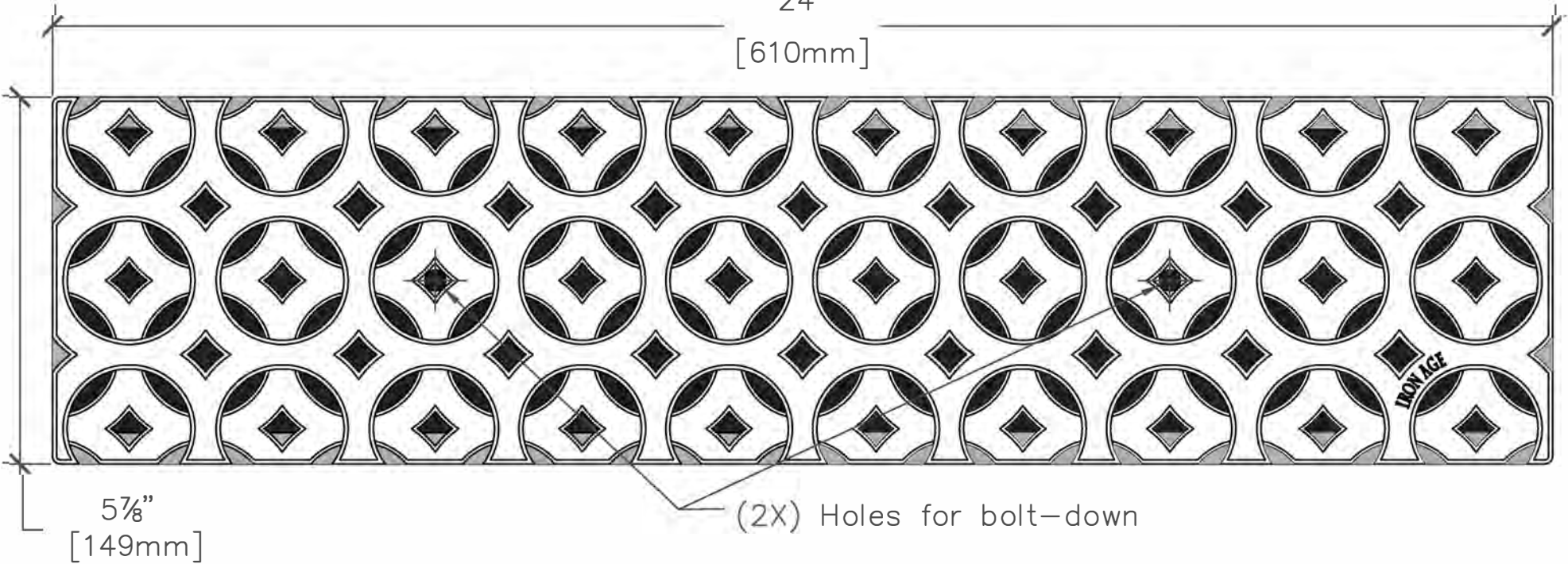
TOP



(317)346-4110  
www.drainagesolutionsinc.com

24"

[610mm]



5 7/8"

[149mm]

(2X) Holes for bolt-down

IRON AGE



**IRON AGE**  
DESIGNS

2104 SW 152nd St #4 TEL 206.276.0925  
Burien, WA 98166 FAX 206.257.0318  
www.ironagedesigns.com

NOTES:

1. Material: cast iron
2. Natural finish
3. Total thickness: 3/4"
4. Fits drain channel manufactured by: NDS® Dura Slope®
5. No openings greater than 1/2"
6. Free Drain Area = 21%
7. Due to casting inconsistencies, all dimensions are nominal.

Interlaken 6" x 24" Trench Grate

drawing no. LOC.N.06x24

drawn by: CD  
scale: NTS  
date: 01/01/09

© 2009 Iron Age Designs

Design Patent  
US 0575,800