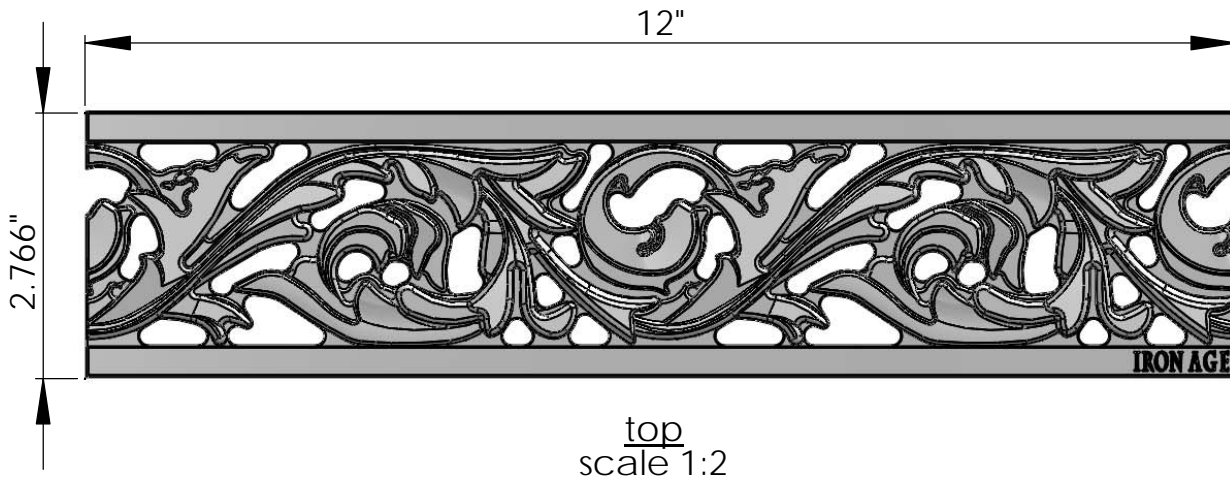
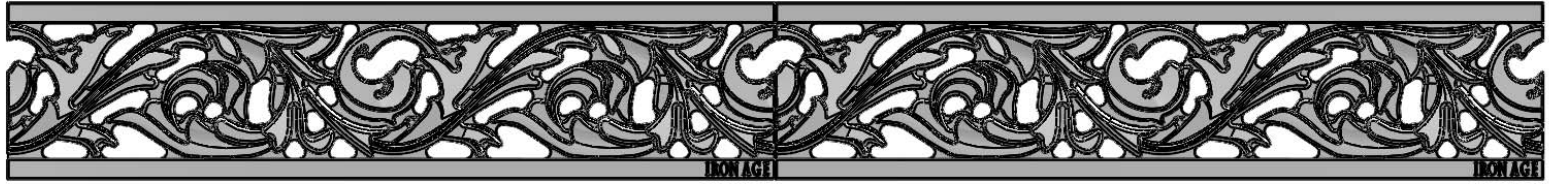
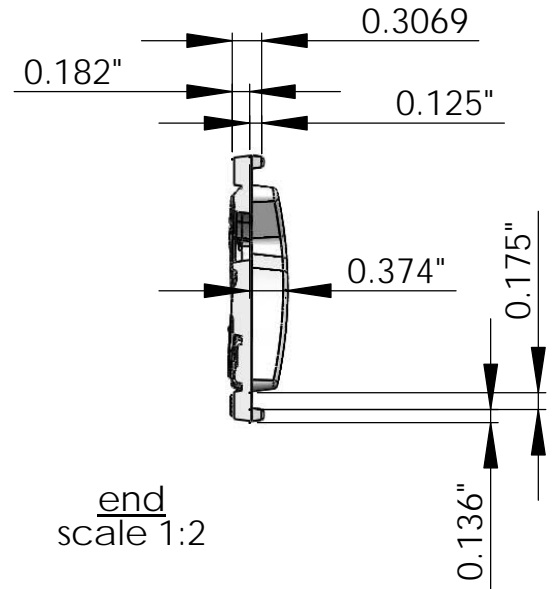


2 grates arrayed
scale 1:3



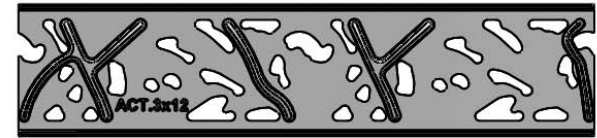
top
scale 1:2



end
scale 1:2



edge
scale 1:2



rear
scale 1:4



IRON AGE
DESIGNS



DRAINAGE
SOLUTIONS, INC

(317) 346-4110
www.drainagesolutionsin.com

3" Acanthus Trench Grate

JOB NO. 110527PP2-Crescent Village Apts. Drawn by: CD
Date: 8/1/12
DWG. NO. ACT.N.3x12 Scale: NTS

NOTES:

1. Material: cast ductile iron
2. Finish options
3. Fits NDS minichannel™
4. Due to casting inconsistencies all dimensions are nominal