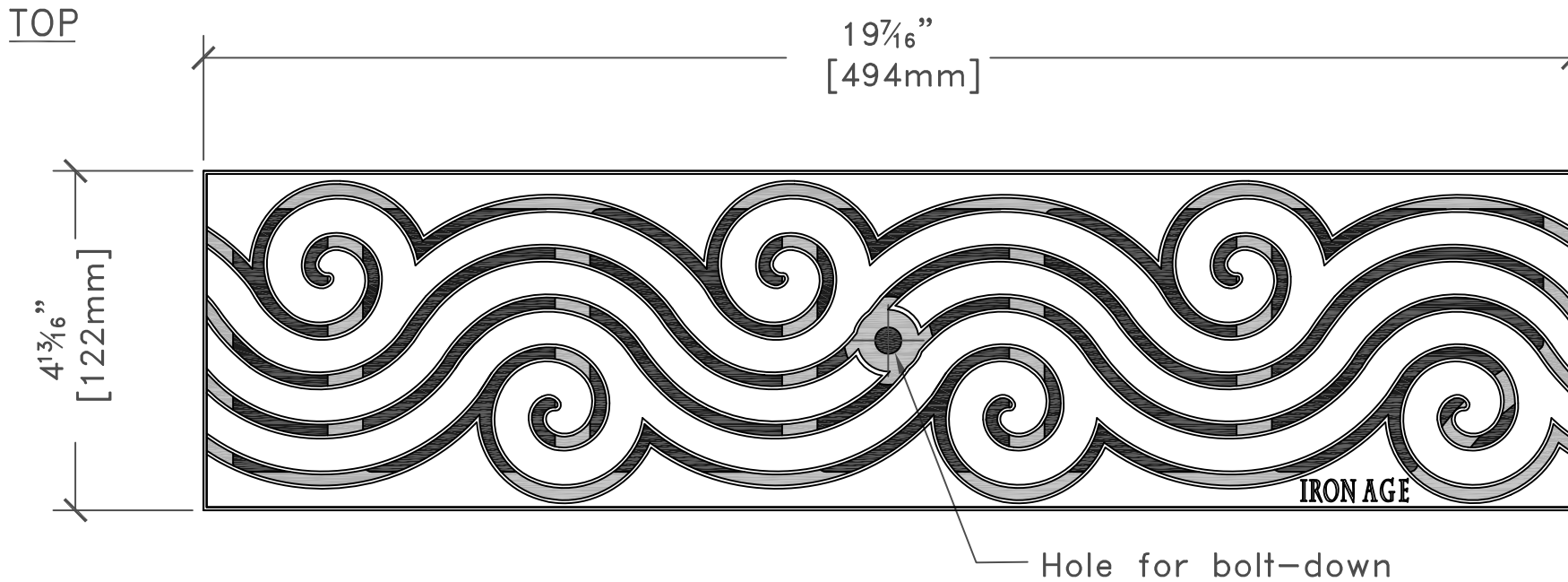
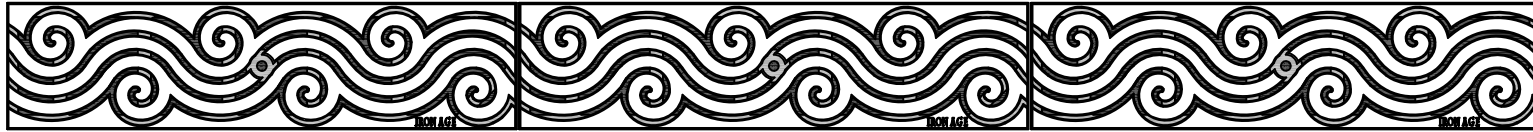


# 3 GRATES ARRAYED



## NOTES:

1. Material: cast iron
2. Natural finish
3. Total thickness:  $\frac{13}{16}$ "
4. Fits drain channels manufactured by:
5. No openings greater than  $\frac{1}{4}$ "
6. Due to casting inconsistencies, all dimensions are nominal.

ABT® PolyDrain®,  
 ACO™ KlassikDrain-K100/K100S  
 MEADRAIN® 1000 Series

Registration Number:  
 VA 2-007-074



**IRON AGE**  
 DESIGNS



**DRAINAGE**  
 SOLUTIONS, INC

(317) 346-4110  
 www.drainagesolutionsinc.com

Argo 5"x20" Heel-Proof Trench Gate drawn by: CD  
 scale: NTS  
 drawing no. ARG.A.05x20 date: 01/01/09

© 2009 Iron Age Designs