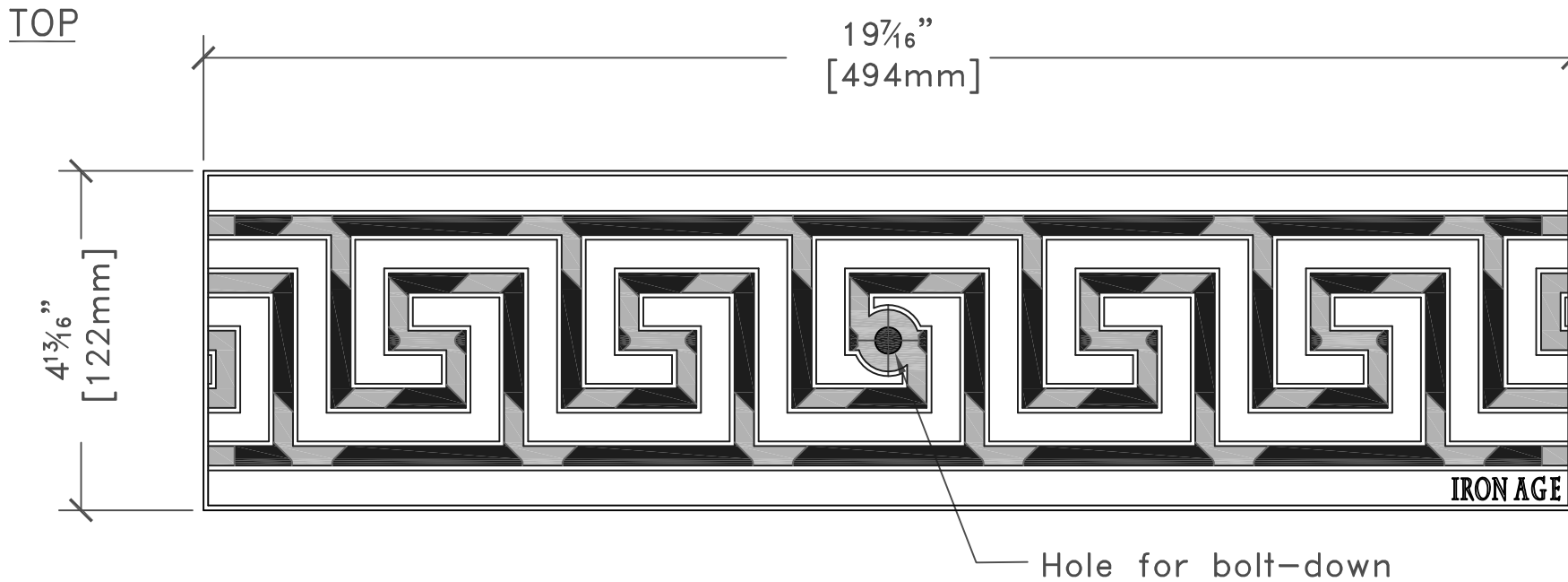
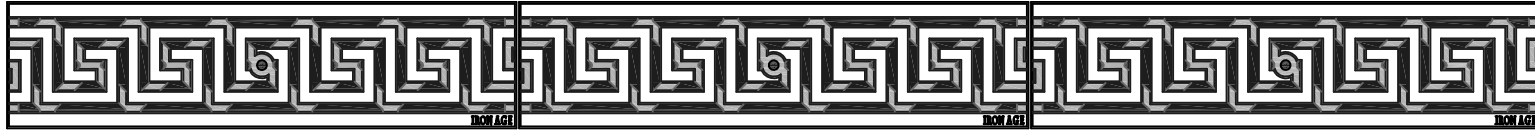


3 GRATES ARRAYED



NOTES:

1. Material: cast iron
2. Natural finish
3. Total thickness: $\frac{13}{16}$ "
4. Fits drain channels manufactured by:
5. No openings greater than 1/2"
6. Due to casting inconsistencies, all dimensions are nominal.

ABT® PolyDrain®,
ACO™ K100/K100S, KS100
MEA® 1000 Series

© 2009 Iron Age Designs



IRON AGE
DESIGNS



(317) 346-4110
www.drainagesolutionsinc.com

Greek Key 5"x20" Trench Grate

drawing no. GRK.A.05x20

drawn by: CD
scale: NTS
date: 01/01/09

Registration Number:
VA 2-007-080