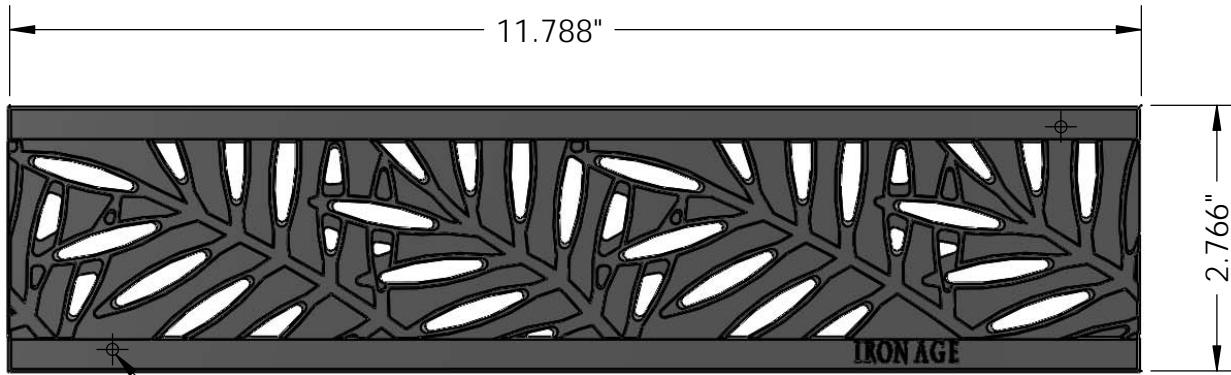
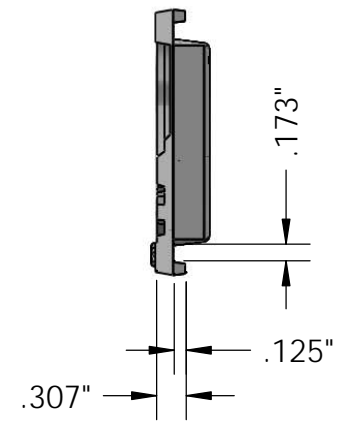


TOP  
scale 1:2



(2X on rear) drill points to locate bold down hole

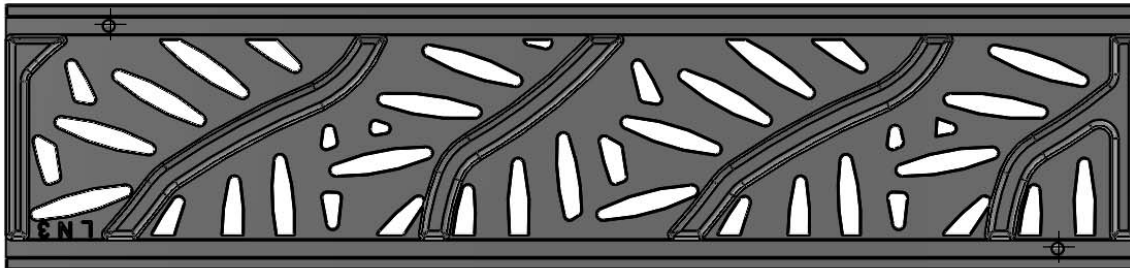
END  
scale 1:2



EDGE  
scale 1:2



BACK  
scale 1:2



#### NOTES:

1. Material: cast iron
  2. Finish: Natural
  3. Total Thickness: 3/4"
  4. Fits drain body manufactured by:  
NDS mini channel™
  5. No openings greater than: 1/2"
  6. Due to casting inconsistencies all dimensions are nominal
- U.S. patent D 563 528 S © 2011 Iron Age Designs



**IRON AGE**  
DESIGNS



**DRAINAGE SOLUTIONS, INC.**  
SUPPLIER / DISTRIBUTOR

(317) 346-4110  
www.drainagesolutionsinc.com

### Locust mini trench drain

JOB NO. XXXX  
DWG. NO. LOC.N.03x12

Drawn by: CD  
Date: 06/29/11  
Scale: NTS