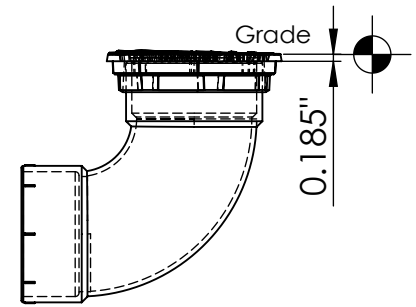
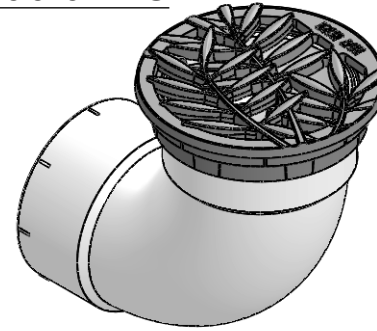
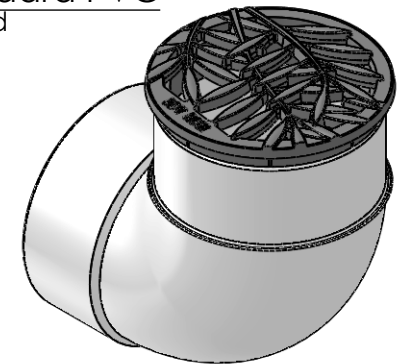
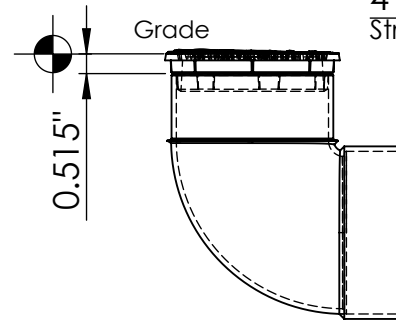




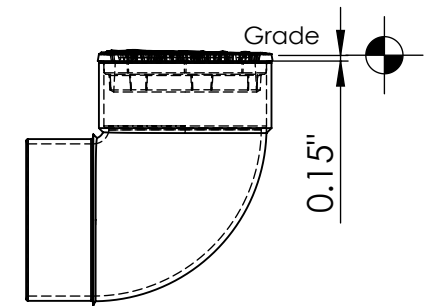
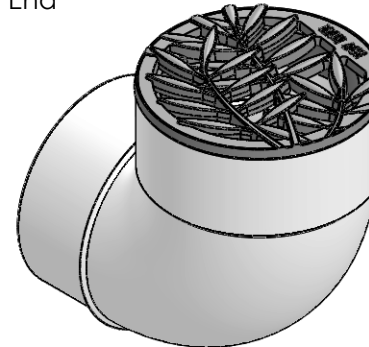
3" Standard PVC
Bell End



4" Standard PVC
Street End



4" Standard PVC
Bell End



NOTES:

1. Material: cast iron
2. Baked on Oil Finish
3. Fits SDR Pipe; 3" O.D. Bell End; 4" I.D.; 4" I.D. Bell End
4. No openings greater than 1/2"
5. Weight approx. 1 lb
6. Due to casting inconsistencies all dimensions are nominal



**IRON AGE
DESIGNS**



(317) 346-4110
www.drainagesolutionsinc.com

Locust 4" dia pipe cover

JOB NO. ...
DWG. NO. LOC.4in_pipe

Drawn by: JH
Date: 6/21/13
Scale: NTS