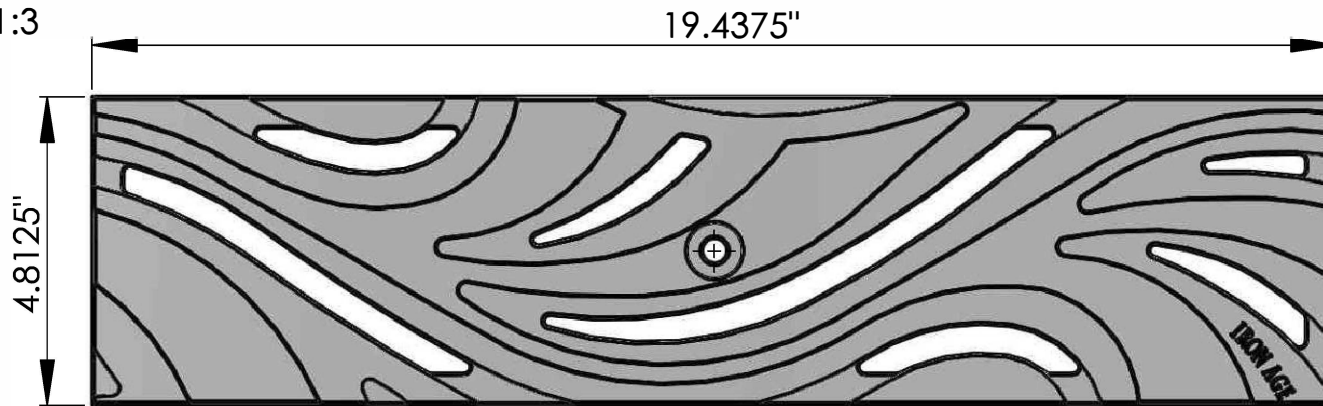
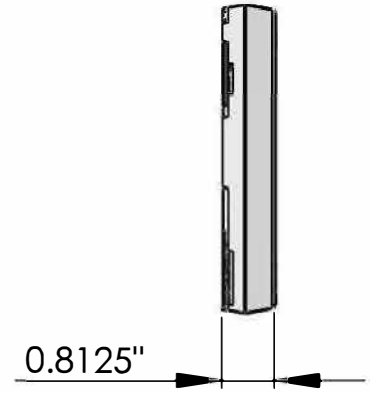


3 castings arrayed
scale 1:6

TOP
scale 1:3



END
scale 1:3



EDGE
scale 1:3



IRON AGE



(317) 346-4110
www.drainagesolutionsinc.com

Minnione 5"x20" Trench Grate

JOB NO. Drawn by: CD
DWG. NO. MIN.A.5x20 Date: 8/20/12
Scale: NTS

NOTES:

1. Material: cast ductile iron
2. Finish: natural
3. Weight approx. 10 lbs
4. Fits ABT® Polydrain®, ACO™ K100/K100S/KS100, MEA® 1000 Series
5. Due to casting inconsistencies all dimensions are nominal