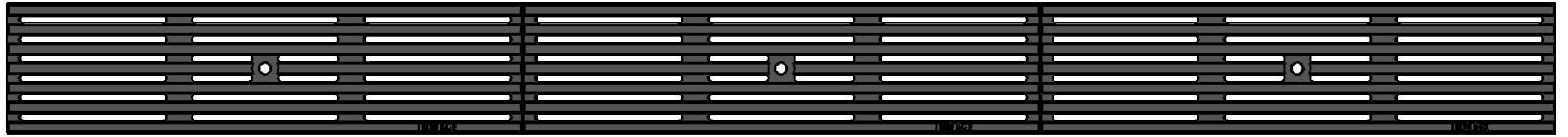
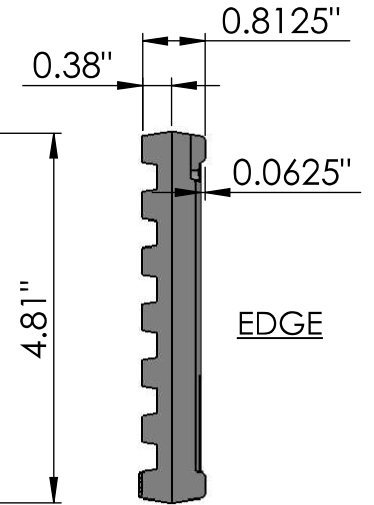
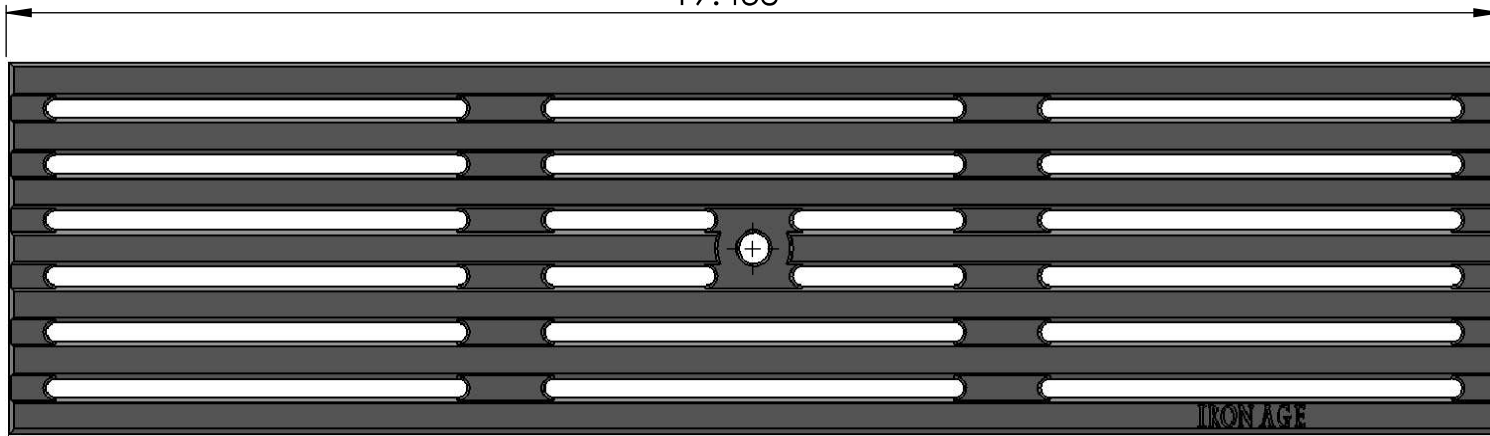


x3 Arrayed



TOP

19.438"



IRON AGE
DESIGNS



DRAINAGE
SOLUTIONS, INC

(317) 346-4110

www.drainagesolutionsinc.com

Que 5"x20" Heel-Proof Trench Grate

JOB NO.

Drawn by: JH

DWG. NO. QUE.I.5x20_Alum

Date: 12/28/12

Scale: NTS

NOTES:

1. Material: cast ductile iron
2. Natural finish
3. Edge thickness: 7/8"
4. No openings greater than 1/4"
5. Weight approx. <12lbs
6. Fits drain bodies manufactured by:
ABT® PolyDrain®, ACO™ K100/K100S/KS100, MEA® 1000 Series
7. Due to casting inconsistencies all dimensions are nominal

© 2012 Iron Age Designs