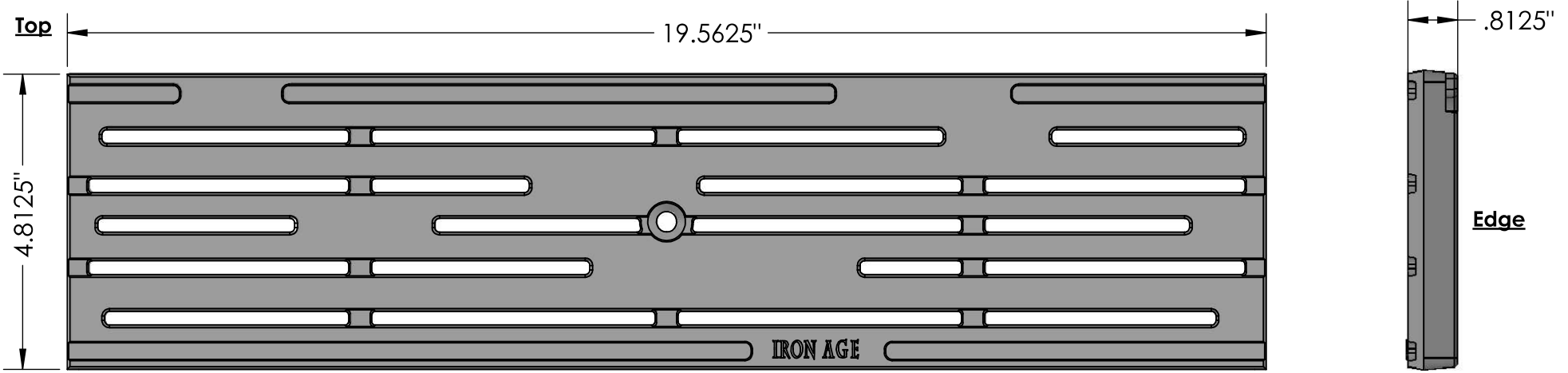
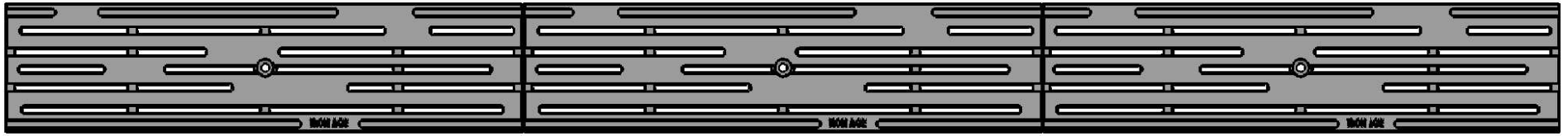
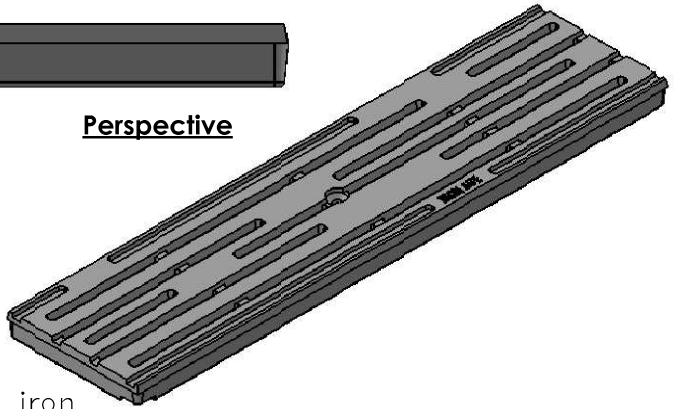


**Array**



**Side**



**Perspective**



**IRON AGE  
DESIGNS**



**DRAINAGE  
SOLUTIONS, INC**

(317) 346-4110  
www.drainagesolutionsinc.com

**Rain 5"x20" Heel-Proof Trench Grate**

JOB NO. \_\_\_\_\_ Drawn by: JH  
 DWG. NO. 01-RAI.A.5x20 Date: 12/1/15  
 Scale: Not to Scale

**NOTES:**

1. Material: cast iron
2. Finish: Natural
3. Edge thickness: 13/16"
4. Fits ABT® PolyDrain®, ACO™ K100/S, MEA® 1000 Series
5. Heel-Proof: No openings greater than 1/4"
6. Weight approx. < 8.4 lbs / Free Drain Area: 18.2%
7. Due to casting inconsistencies all dimensions are nominal