

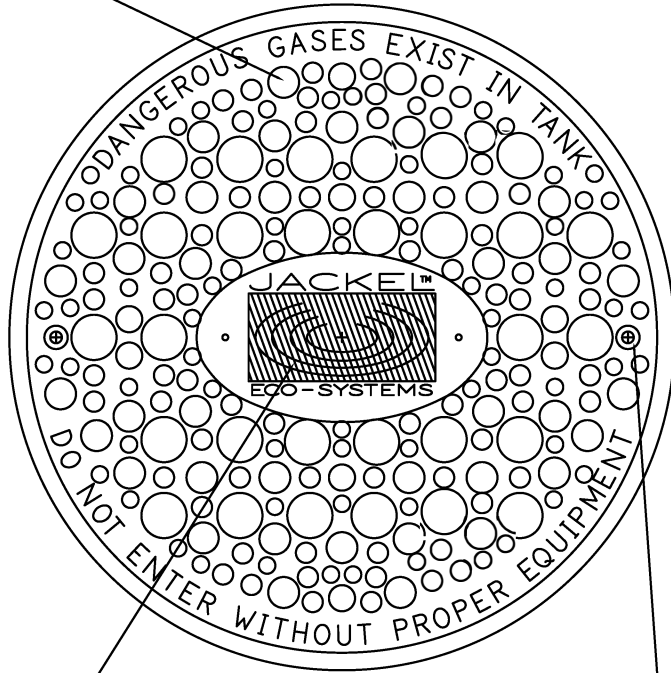


DRAINAGE SOLUTIONS, INC

(317) 346-4110

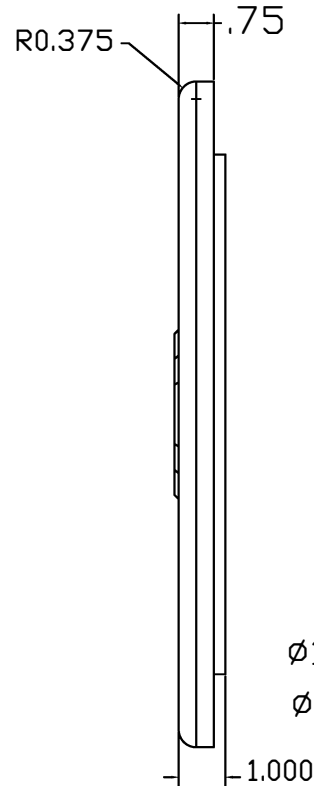
www.drainagesolutionsinc.com

.125" RAISED ANTI-SKID SURFACE

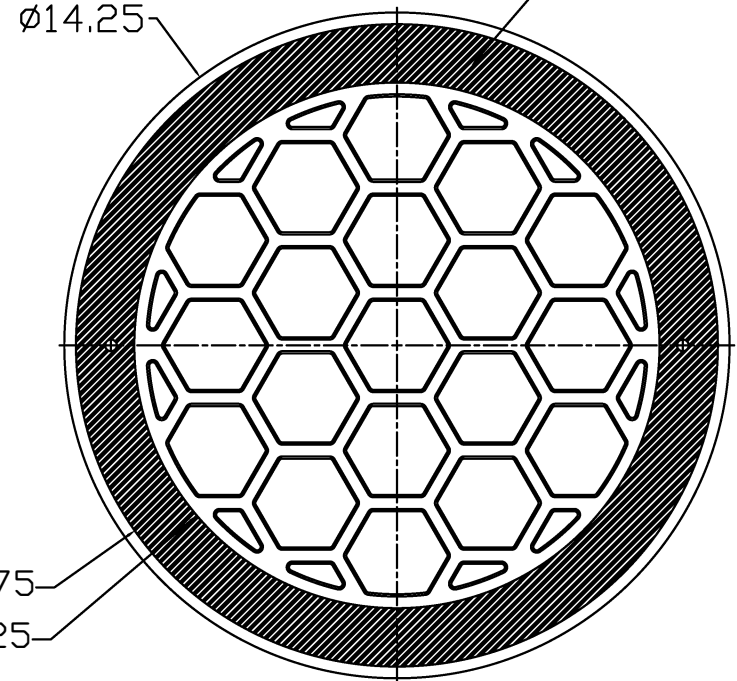


OPTIONAL CUSTOMIZED NAMEPLATE ATTACHED WITH 6x5/16 S.S. U-DRIVE SCREWS

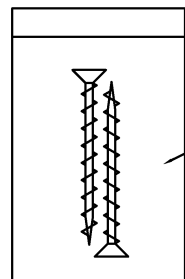
Ø.250 HOLES X 2 ON 12.250 B.C.



SFRC12 SEAL
PVC SEAL



NOTE: WALL THICKNESS .25



(2) 12x2 S.S. FLAT HEAD SQUARE DRIVE MOUNTING SCREWS IN POLYBAG ATTACHED TO COVER WITH U-DRIVE SCREW

JACKEL, INC.
15314 HARRISON RD., MISHAWAKA, IN 46544
ph 574.256.5635, fax 574.256.6966, www.jackelinc.com

PART NAME				SFRC12G RISER COVER			
PART NUMBER		SFRC12G		CUSTOMER		VARIOUS	
MATERIAL		STRUCTURAL FOAM (HDPE)		FINISH		GREEN, AS MOLDED	
UNITS		INCHES		REVISION		"A"	
DESIGN ENG.		DRAWN BY		SHEET		OF	
J.HASLOCK				1		1	
				DATE		9-11-08	