

# PRG-SERIES

Grinder Pump

# Liberty Pumps®

A Family and Employee Owned Company

(317)346-4110

www.drainagesolutionsinc.com



## ProVore®

### 1 hp

### 2" Discharge

Designed for sewage applications

Higher flow rates allow use with  
2" discharge lines

Operates on standard 115V or 230V  
20A circuits

### Features

- Heavy cast iron construction
- 115V or 230V 1-phase
- Patented V-Slice® Cutter Technology
- Shreds difficult solids such as feminine products, rags, towels, and wipes that can jam a solids handling style pump
- Hardened stainless-steel cutter and plate
- Oil-filled, thermally protected motor
- PRG-Series grinders can be used as a replacement pump in 2" discharge systems using LE40 and LE50-Series solids handling pumps.\*

*\*Consult factory with actual application and head specifications prior to replacing LE40 and LE50-Series pumps.*



Model PRG101A

Patent: See  
LibertyPumps.com/patents

### Models

- |          |   |
|----------|---|
| PRG101M  | 115V, 12A, Manual                           |
| PRG101A  | 115V, 12A, Automatic, wide-angle            |
| PRG101AV | 115V, 12A, Automatic, vertical float switch |
| PRG102M  | 230V, 6A, Manual                            |
| PRG102A  | 230V, 6A, Automatic                         |



Vertical Float Switch  
Model PRG101AV



innovate. evolve.

# PRG-Series

## Impeller

Cast iron, class 25 vortex style

## Paint

Powder coat

## Max Fluid Temperature

140°F (60°C) Intermittent  
104°F (40°C) Continuous duty

## Motor Specifications

1 hp 12A (115V) 6A (230V)  
CSCR style, class B windings  
Oil-filled, thermally protected

## Power Cord Type

SJTW Quick-connect design  
10' Standard length (25' optional)

## Motor Housing

Class 30 cast iron

## Shaft

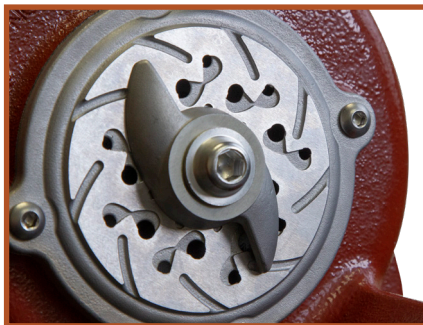
303 Series stainless steel

## Volute

Class 30 cast iron

## V-Slice® Cutter Technology

Shreds difficult solids such as feminine products, wipes, rags, and other debris.



440 Series stainless steel hardened to Rockwell 57c

Patent: See [LibertyPumps.com/patents](http://LibertyPumps.com/patents)

## Models

MODEL	HP	VOLTS	PHASE	Hz	AMPS	CORD LENGTH	DISCHARGE	AUTOMATIC	WEIGHT
PRG101A	1	115	1	60	12	10'	2"	Wide-Angle	58 lbs
PRG101AV	1	115	1	60	12	10'	2"	Vertical Float Switch	58 lbs
PRG101M	1	115	1	60	12	10'	2"	No	57 lbs
PRG102A	1	230	1	60	6	10'	2"	Wide-Angle	58 lbs
PRG102M	1	230	1	60	6	10'	2"	No	57 lbs

For optional 25' power cords, add a "-2" suffix to model number. Example: PRG101A-2

Specifications subject to change without notice.

Copyright © Liberty Pumps, Inc. 2021 All rights reserved. LLIT006710-R06/21

## Hardware

Stainless steel

## Mechanical Shaft Seal

Unitized graphite impregnated silicon carbide

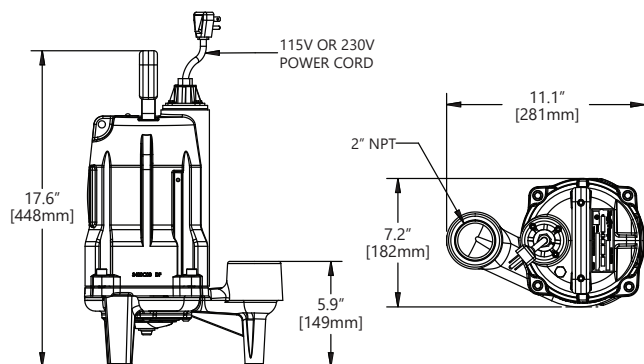
## Bearings

Upper and lower ball bearings

## Float Switch (automatic models)

Mechanical wide-angle float switch with series (piggyback) plug

## Dimensional Data



## Performance Curve

60 Hz, 3450 RPM

