



# MacWrap Coupler data sheet



## Remove Flap Release Film

Remove the release film from the protective closing flap.



## Cover & Smooth

Cover the exposed portions of the compression bands with the protective flap.  
Smooth the flap to ensure full contact.

## MacWrap for RCP

MarMac's MacWrap for RCP (Reinforced Concrete Pipe) is a high performance, external joint coupler designed for the prevention of infiltration and resistance of exfiltration at joints of bell-and-spigot, tongue-and-groove, round, or elliptical RCP.

### Applications

- Bell-and-spigot RCP
- Tongue-and-groove RCP

### Availability

- Pipe sizes: 12-144"
- Standard, Chemical Resistant, or UV Resistant



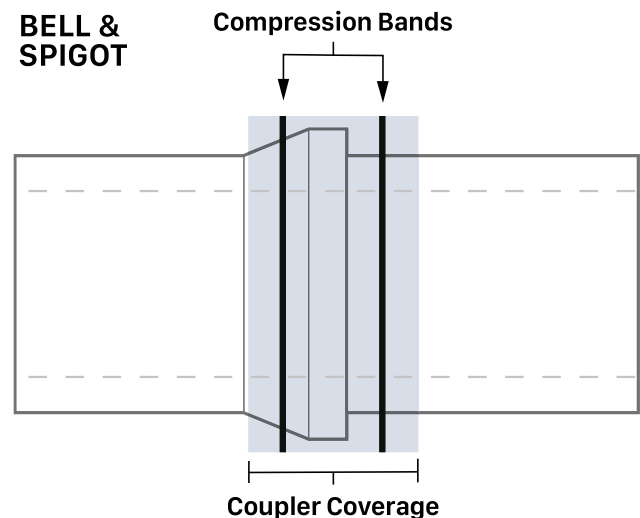
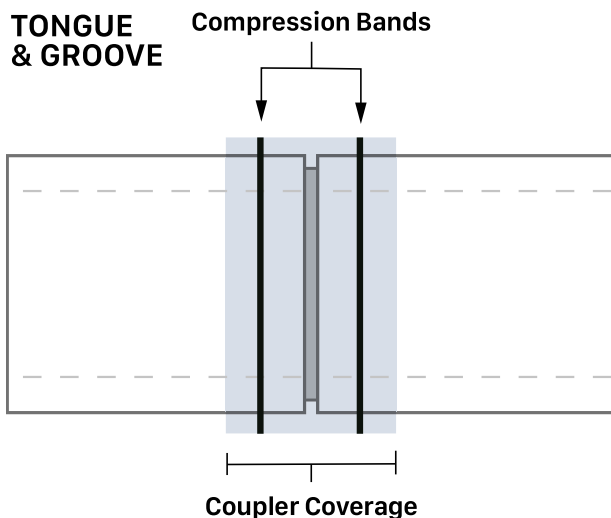
(317) 346-4110

[www.drainagesolutionsinc.com](http://www.drainagesolutionsinc.com)



# MacWrap Coupler data sheet

PIPE ID	T&G OD	T&G OC	LENGTH	COUPLER LENGTH
<b>RCP (C-76, B WALL) W/ RATCHET STRAPS</b>				
12"	16"	50"	58"	62"
15"	19.5"	31"	69"	73"
18"	23"	72"	80"	84"
21"	26.5"	83"	91"	95"
24"	30"	94"	102"	106"
27"	33.5"	105"	113"	117"
30"	37"	116"	124"	128"
33"	40.5"	127"	135"	139"
36"	44"	138"	146"	150"
42"	51"	160"	168"	172"
48"	58"	182"	190"	194"
54"	65"	204"	212"	216"
60"	72"	226"	234"	238"
66"	79"	248"	256"	260"
72"	86"	270"	278"	282"
78"	93"	292"	300"	304"
84"	100"	314"	322"	326"
90"	107"	336"	344"	348"
96"	114"	358"	366"	370"
102"	121"	380"	388"	392"
108"	128"	402"	410"	414"
120"	140"	440"	448"	452"
132"	154"	484"	492"	496"
144"	168"	528"	536"	540"



(317) 346-4110

www.drainagesolutionsinc.com



# MacWrap Coupler data sheet

## MacWrap for Manholes

MarMac's MacWrap for Manholes is an advanced, external joint coupler specifically designed for preventing infiltration and resisting exfiltration at connections of precast manhole sections.

### Applications

- Precast manhole sections

### Availability

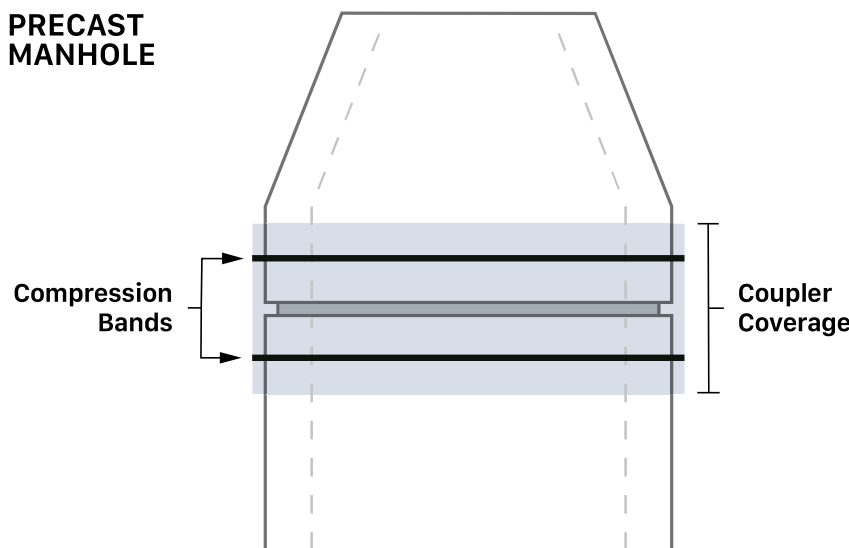
- Manhole sizes: 48-120"
- Standard, Chemical Resistant, or UV Resistant



PIPE ID	T&G OD	T&G OC	LENGTH	COUPLER LENGTH
<b>MANHOLES (C-76, B WALL) W/ RATCHET STRAPS</b>				
48"	58"	182"	190"	194"
60"	72"	226"	234"	238"
72"	86"	270"	278"	282"
84"	100"	314"	322"	326"
96"	114"	358"	366"	370"
108"	128"	402"	410"	414"
120"	140"	440"	448"	452"

\* Contact MarMac for additional sizes & availability

### PRECAST MANHOLE



(317) 346-4110

www.drainagesolutionsinc.com



# MacWrap Coupler data sheet

## MacWrap for Box Culverts

MarMac's MacWrap for Box Culverts is an external sealing band that creates a full perimeter seal on all four sides of a stormwater detention system. A specially formulated, aggressive mastic combines with integrated compression bands, making MacWrap among the best methods of preventing infiltration of subsurface materials into a box culvert. MacWrap for Box Culverts is designed to be both leak and puncture resistant against aggressive backfills.



### Applications

- Precast box culverts
- 4-Sided precast structures
- Stormwater retention & detention systems

### Availability

- Box culvert sizes: All sizes
- Standard, Chemical Resistant, or UV Resistant

## MacWrap Repair Coupler

MarMac's MacWrap Repair Coupler is an advanced, external joint coupler, specifically designed to repair compromised joints of precast structures while simultaneously preventing infiltration. MacWrap Repair couplings can be used for the rehabilitation of tongue & groove and bell & spigot reinforced concrete pipe as well as manhole sections, restoring the integrity of damaged joints.



Comprised of the same construction materials as standard MacWrap, the width of MacWrap Repair Couplers is increased to 24", the thickness is increased by approximately 50%, and four compression bands are utilized versus the standard two.

### Applications

- Reinforced concrete pipe repair
- Manhole repair

### Availability

- Pipe sizes: 12-144"
- Standard, Chemical Resistant, or UV Resistant



(317) 346-4110

[www.drainagesolutionsinc.com](http://www.drainagesolutionsinc.com)



# MacWrap Coupler data sheet

PIPE ID	T&G OD	T&G OC	WIDTH	LENGTH	COUPLER LENGTH
<b>RCP &amp; MANHOLES (C-76, B WALL) W/ RATCHET STRAPS x4</b>					
12"	16"	50"	24"	58"	62"
15"	19.5"	61"	24"	69"	73"
18"	23"	72"	24"	80"	84"
21"	26.5"	83"	24"	91"	95"
24"	30"	94"	24"	102"	106"
27"	33.5"	105"	24"	113"	117"
30"	37"	116"	24"	124"	128"
33"	40.5"	127"	24"	135"	139"
36"	44"	138"	24"	146"	150"
42"	51"	160"	24"	168"	172"
48"	58"	182"	24"	190"	194"
54"	65"	204"	24"	212"	216"
60"	72"	226"	24"	234"	238"
66"	79"	248"	24"	256"	260"
72"	86"	270"	24"	278"	282"
78"	93"	292"	24"	300"	304"
84"	100"	314"	24"	322"	326"
90"	107"	336"	24"	344"	348"
96"	114"	358"	24"	366"	370"
102"	121"	380"	24"	388"	392"
108"	128"	402"	24"	410"	414"
120"	140"	440"	24"	448"	452"
132"	154"	484"	24"	492"	496"
144"	168"	528"	24"	536"	540"

