

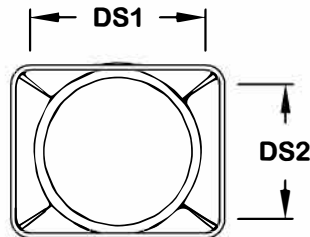
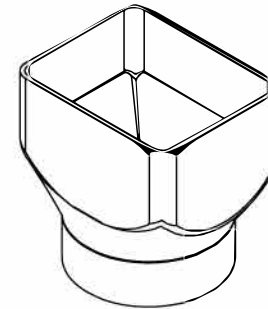
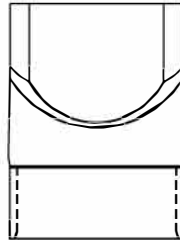
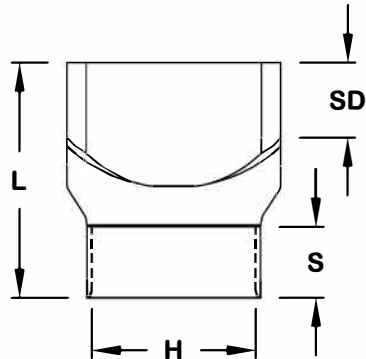


Macon Plastics

(317) 346-4110

www.drainagesolutionsinc.com

** This drawing was originated by and is the exclusive property of Macon Plastics. It is furnished for recipient's information only and is not an authorization or license to make this construction or furnish this information to others.



Nominal Size	Part Number	S	SD	L	H	DS1	DS2
3x4x4	01055	2.0	1.8	7.0	4.2	4.0	3.0
4x5x4	80261	2.0	1.8	7.0	4.2	5.0	4.0
4x6x4	80269	2.0	2.2	7.2	4.2	6.0	4.0
4x6x6	80262	3.5	2.0	9.6	6.3	6.0	4.0
5x6x6	80268	3.0	2.8	8.5	6.3	6.0	5.0
6x8x6	80207	3.0	3.0	11.4	6.3	8.0	6.0
5x8x8	80205	4.0	3.0	11.5	8.4	8.0	5.0
6x8x8	80293	4.0	3.0	12.5	8.4	8.0	6.0
7x8x8	01025	4.0	3.0	12.5	8.4	8.0	7.0

Description: Rectangle Downspout Adapter

Material: 3034 SDR 35

Size: (per chart)

Configuration: Downspout x Hub

* Dimensions are approximate due to various factors affecting production. Dimensions are subject to change without notice due to design or production modifications. Unless otherwise specified, socket bottom to socket bottom dimensions are to be +/-1/2". Overall length dimensions are to be +/-1". All fitting angles are to be +/-1 degree. Outside dimensions are to be +/-1/4".