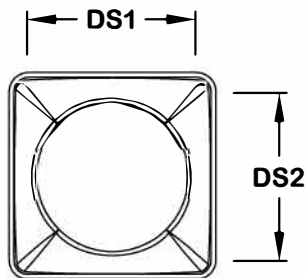
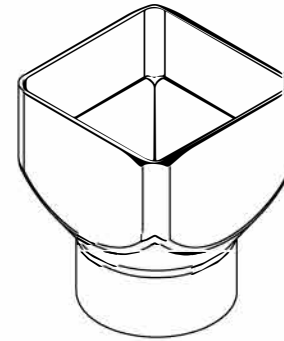
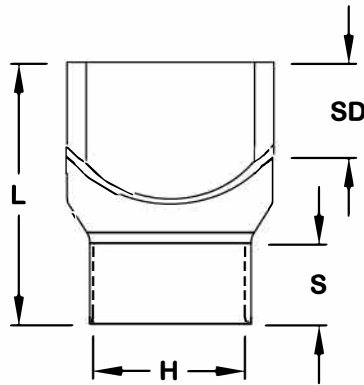




Macon Plastics

(317) 346-4110
www.drainagesolutionsinc.com

** This drawing was originated by and is the exclusive property of Macon Plastics. It is furnished for recipient's information only and is not an authorization or license to make this construction or furnish this information to others.



Nominal Size	Part Number	S	SD	L	H	DS1	DS2
4x4x4	80550	2.0	1.8	6.8	4.5	4.0	4.0
5x5x4	80558	2.0	1.8	6.5	4.5	5.0	5.0
5x5x6	80559	3.0	3.2	8.0	6.6	5.0	5.0
6x6x6	80555	3.5	2.9	9.4	6.6	6.0	6.0
6½x6½x6	01055	3.5	2.9	9.9	6.6	6.5	6.5
8x8x8	80560	4.4	3.8	10.5	8.6	8.0	8.0
10x10x10	80507	5.0	4.0	13.0	10.8	10.0	10.0
12x12x12	80587	6.0	4.5	15.0	12.8	12.0	12.0

Description: Square Downspout Adapter

Material: PVC

Size: (per chart)

Configuration: Downspout x Hub

* Dimensions are approximate due to various factors affecting production. Dimensions are subject to change without notice due to design or production modifications. Unless otherwise specified, socket bottom to socket bottom dimensions are to be +/-1/2". Overall length dimensions are to be +/-1". All fitting angles are to be +/-1 degree. Outside dimensions are to be +/-1/4".