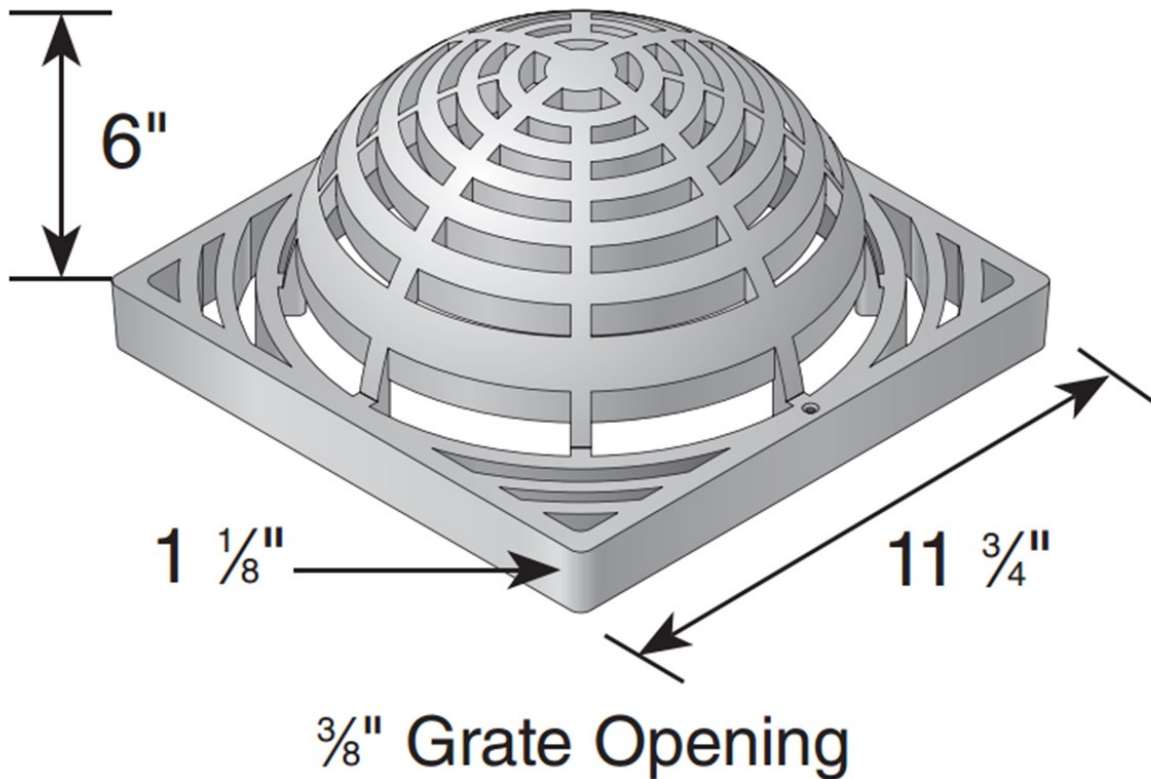


12" x 12" ATRIUM GRATE



Material: UV Protected High Density Polyethylene (HDPE)

Weight: 1.74 lbs

Colors: Green (1280), Black (1290)

Fits: Use with 12" Catch basin series

Grate Openings: 50.60 in²

Will accommodate 154.79 gallons per minute with 1/2" of head