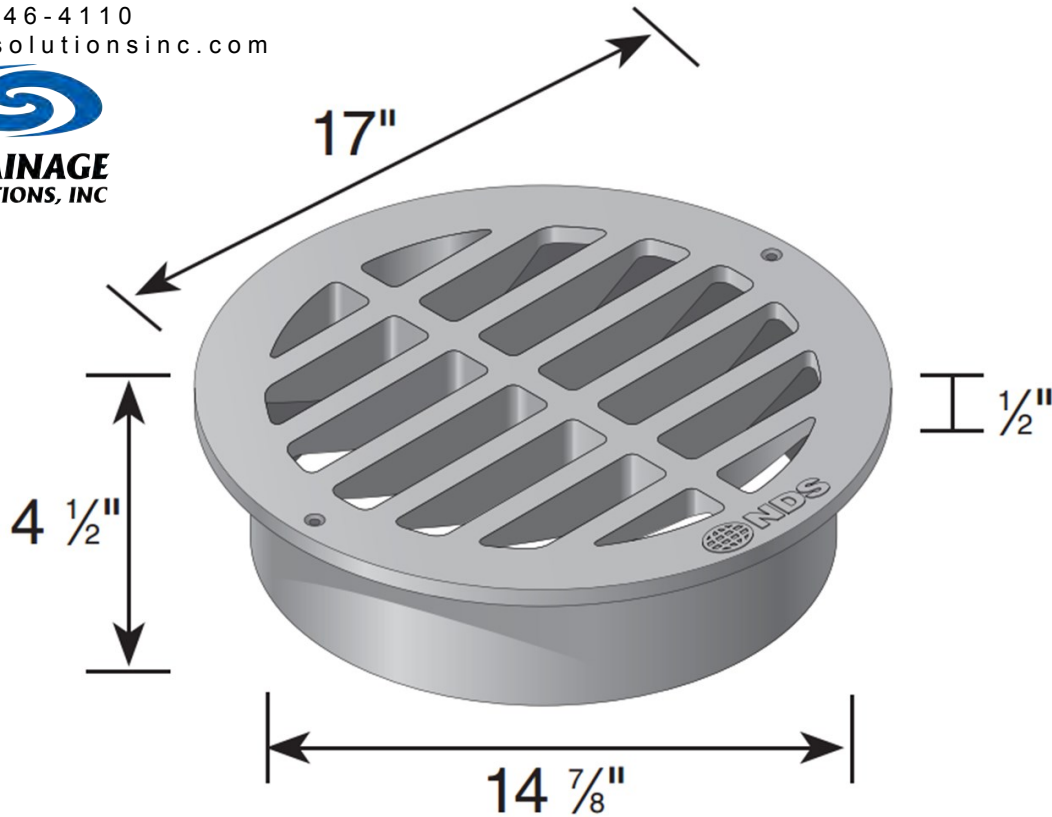


15" ROUND GRATE

(317)346-4110
www.drainagesolutionsinc.com



1 1/4" Grate Opening

Material: UV Protected High Density Polyethylene (HDPE)

Colors: Black (1511), Green (1512)

Weight: 6.89 lbs

Fits: Use with 15" Sewer and Drain Fittings, 15" Corrugated Pipe

Grate Openings: 85.60 in² open space

Will accommodate 261.86 gallons per minute with 1/2" of head.

Load Recommendation Guide



Class B

- Loads of 61-175 psi.
- Recommended for medium-duty pneumatic tire traffic, autos and light trucks at speeds less than 20 m.p.h.

Note: Some installations may require a concrete collar to meet load rating. Loads are based on encasing product in concrete. Product must be installed using NDS instructions.

