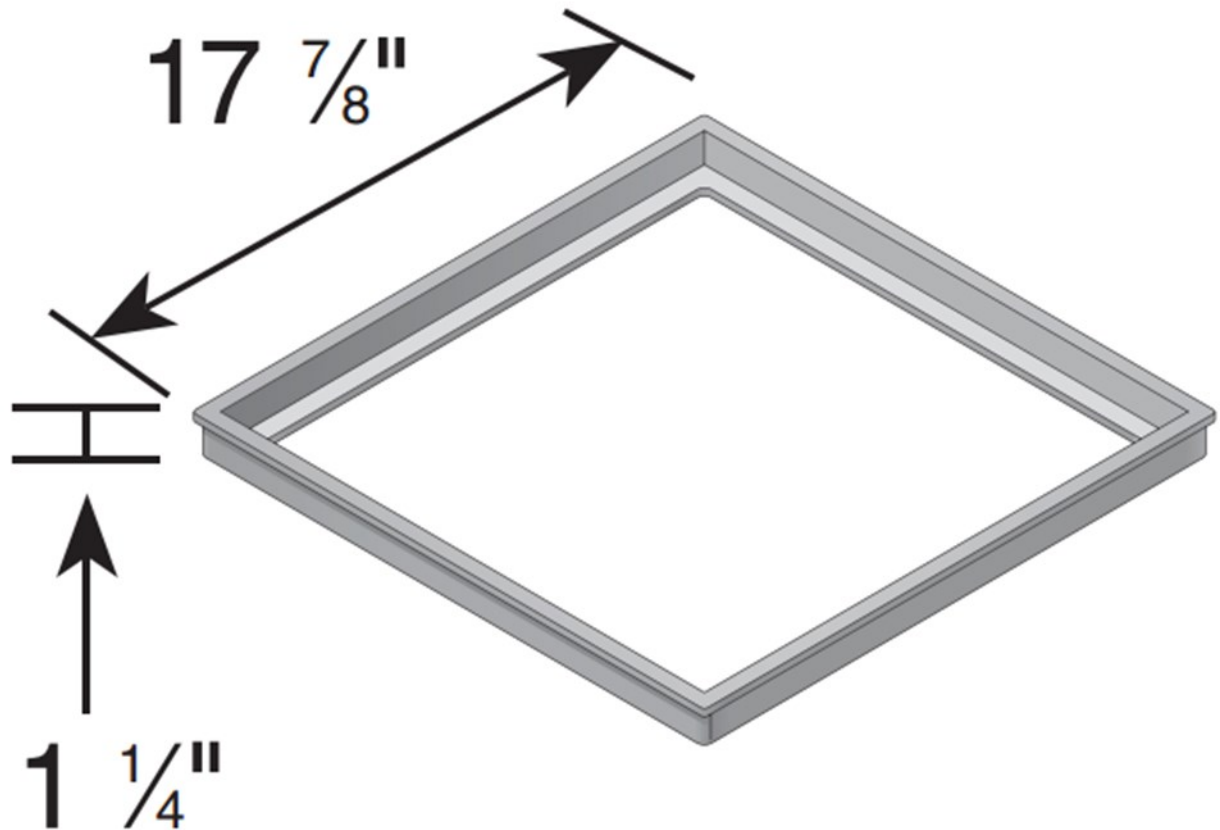


FRAME TO ADAPT 18" x 18" GRATE TO A CONCRETE CATCH BASIN



Material: Styrene

Weight: 2.00 lbs

Colors: Black

Part #1840