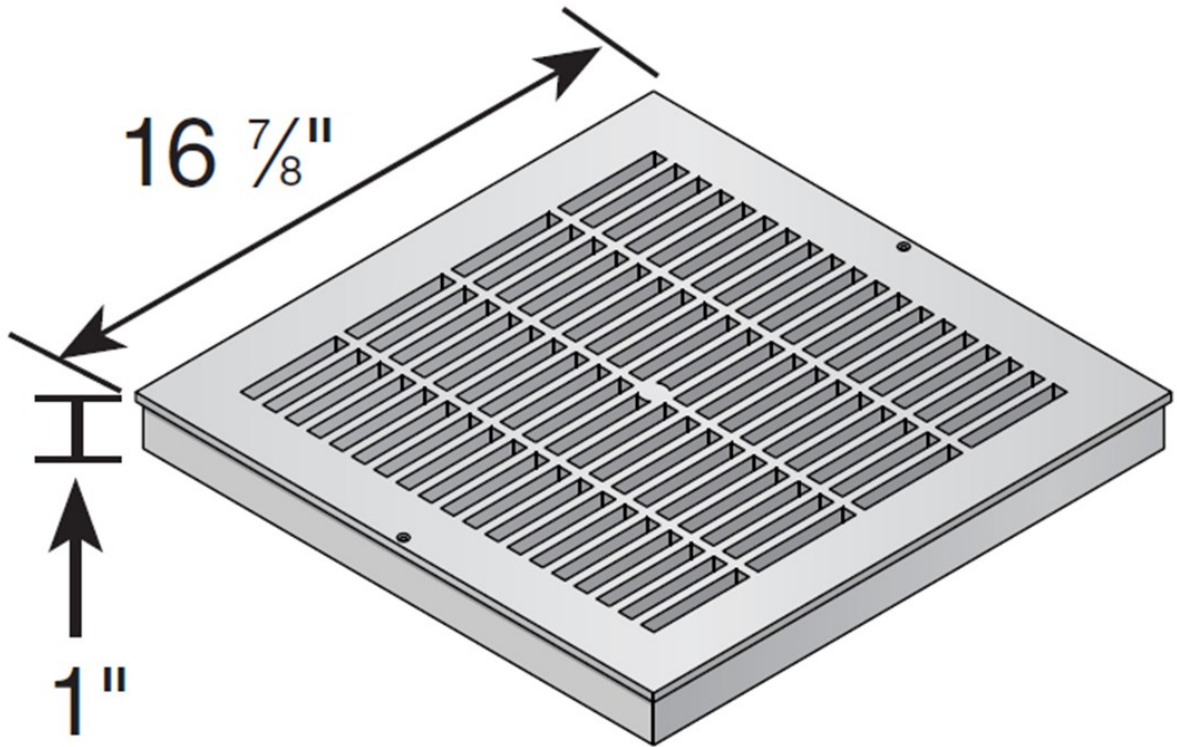


18" x 18" Square Grate



7/16" Grate Opening

Part #: 1810,
1811 and 1812

Material:

(HDPE) High Density Polypropylene

Color: #1810 (Gray), #1811 (Black) and #1812 (Green)

Fits: Catch Basin #1882, #1884, #1800, #1804, #1816, #1830
and #1840.

Grate Opening: 7/16"

Open Surface Area: 86.31 Sq. Inches

Head Pressure / Flow Rate:

Head (inches) - Max Flow

1" = 373.40 GPM

1/2" = 264.03 GPM

UV inhibitor.

Weight Per Each: 7.71 lbs.

Made in USA.

Load Recommendation Guide



Class B

- Loads of 61-175 psi.
- Recommended for medium-duty pneumatic tire traffic, autos and light trucks at speeds less than 20 m.p.h.

ADA Compliant