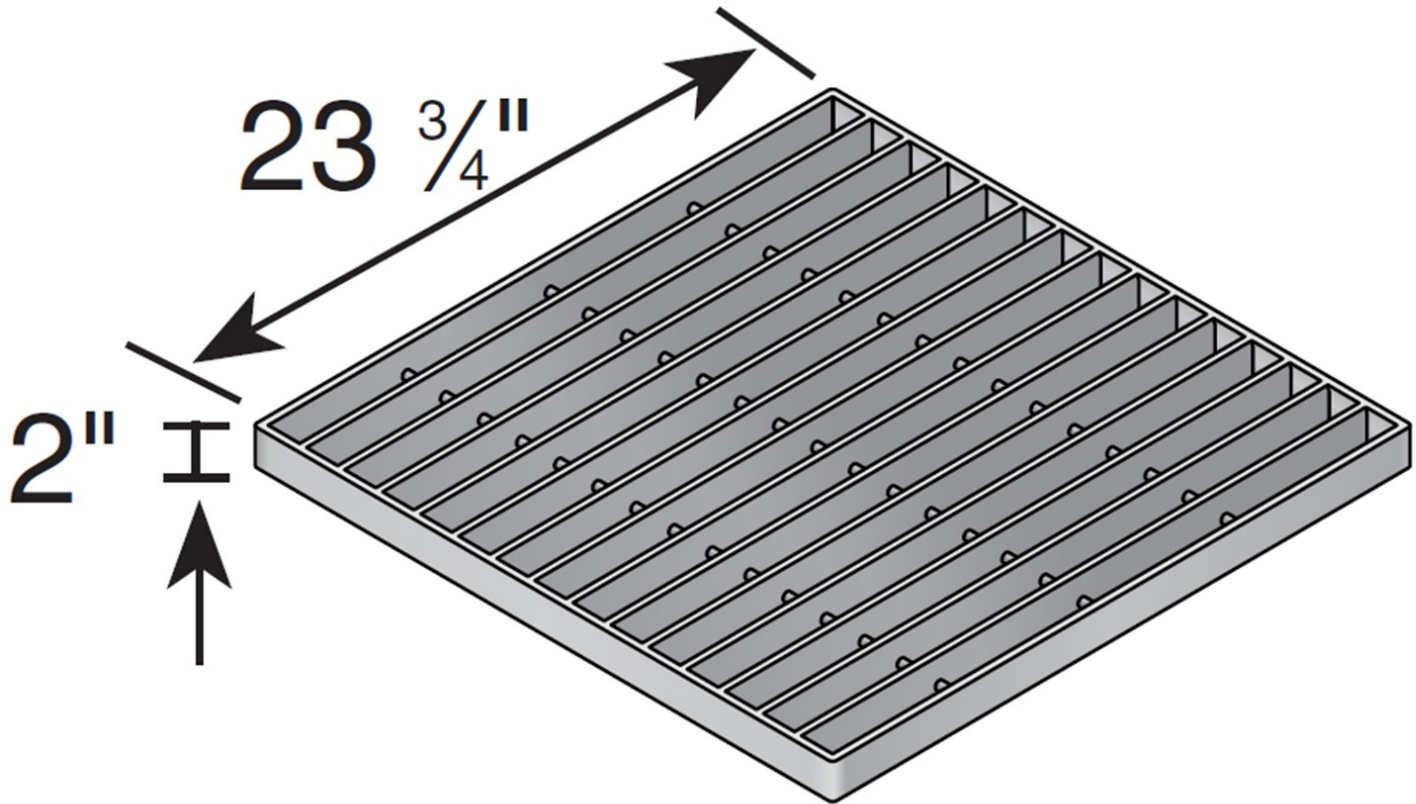




NDS[™]
WE PUT WATER IN ITS PLACE

**TECHNICAL
SPECIFICATIONS**

24" x 24" Galvanized Square Grate



1 1/4" Grate Opening

Part #: 2415
Material: Galvanized Steel
Color: Galvanized Steel
Fits: Catch Basin #2400, #2404 and #2418.
Grate Opening: 1-1/4"
Open Surface Area: 332.06. Inches
Head Pressure / Flow Rate:
Head (inches) - Max Flow
1"= 1827.63 GPM
1/2" = 1292.33 GPM
Weight Per Each: 63 lbs.
H-20 Load Rating

Load Recommendation Guide



Class C

- Loads of 176-325 psi.
- Recommended for heavy-duty pneumatic tire forklifts and tractor trailers at speeds less than 20 m.p.h., H-20 rated.



(317) 346

www.drainagesolutionsinc.com