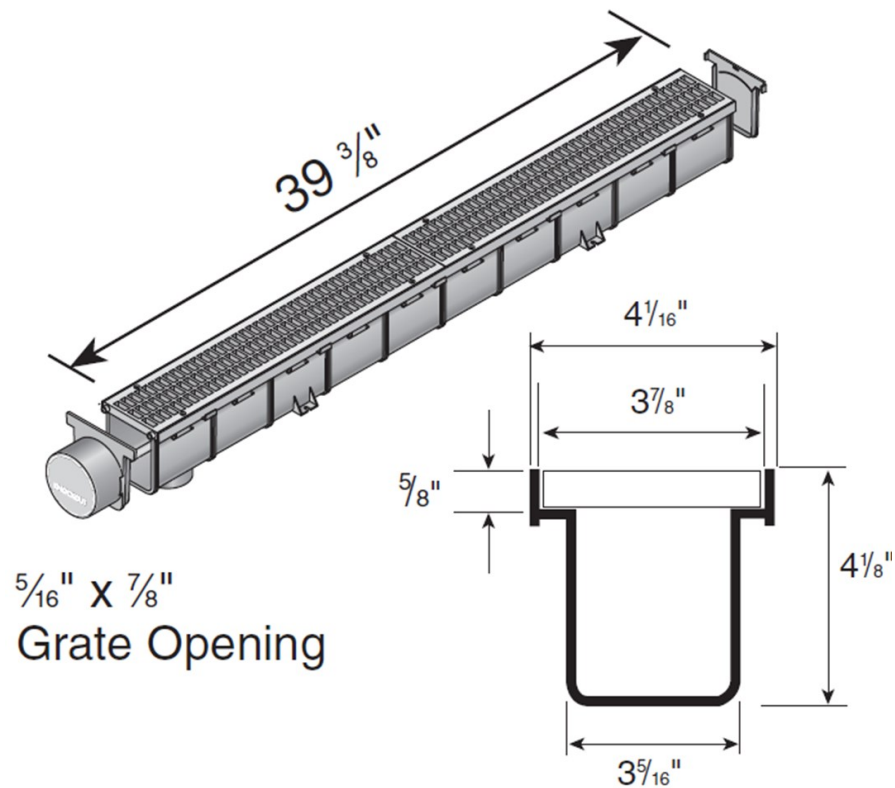


## 3" Pro Series Channel Drain Kit



Part #: 764 ( 3" x 1 Meter light Traffic Drain Kit)  
 Material: Channel PVC, Grate PVC , Cap/End Outlet PVC and End Cap PVC  
 Color: Light Gray ( Grate)  
 Fits: End Outlet fits 3" Sewer/Drain Fitting  
 Grate Opening: 5/16" X 7/8"  
 Open Surface Area: 23.63 Sq. Inches Per Foot.  
 Head Pressure / Flow rate:  
 1" = 102.23 GPM per Foot  
 0.5" = 72.29 GPM per Foot  
 Weight Per Each: 4.61 lbs.  
 UV inhibitor



### Class B

- Loads of 61-175 psi.
- Recommended for medium-duty pneumatic tire traffic, autos and light trucks at speeds less than 20 m.p.h.

**ADA Compliant**