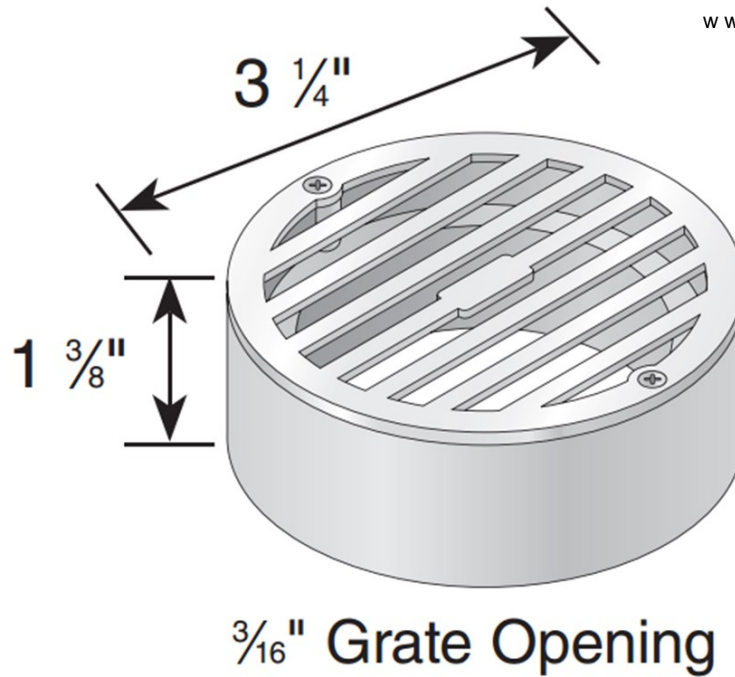


3" ROUND BRASS GRATE w/PVC COLLAR



(317)346-4110
www.drainagesolutionsinc.com



Material: Brass grate & brass screws w/ PVC collar
Colors: Satin Brass (909B), Polished Brass (905PB)
Weight: 0.40 lbs each
Fits: 2" SCH-40 pipe, 3" Sewer and Drain Fittings
Grate Openings: 2.68 in² open space
Will accommodate 8.20 gallons per minute with
1/2" of head.

Load Recommendation Guide



Class A

- Loads of 1-60 psi.
- Recommended for pedestrians, bicycles and wheel chair traffic.

Note: Some installations may require a concrete collar to meet load rating. Loads are based on encasing product in concrete. Product must be installed using NDS instructions.

ADA Compliance

NDS provides a wide selection of grates that are compliant with the Americans with Disabilities Act. The ADA Accessibility Guidelines For Buildings and Facilities Section 4.5.4 specifies that ground and floor grates "shall have spaces no greater than 1/2 in (13 mm) wide in one direction."

We are pleased to provide grates that comply with these requirements, so that no individual need be limited from accessing the area safely and confidently.

To see if a grate is ADA compliant, please check the description of the product in our NDS Drainage Catalog: products that meet these requirements are marked "ADA compliant."

Like to find out more about ADA compliance and NDS? Send us your question and we'd be happy to help.



ADA Compliant/Heel-proof

