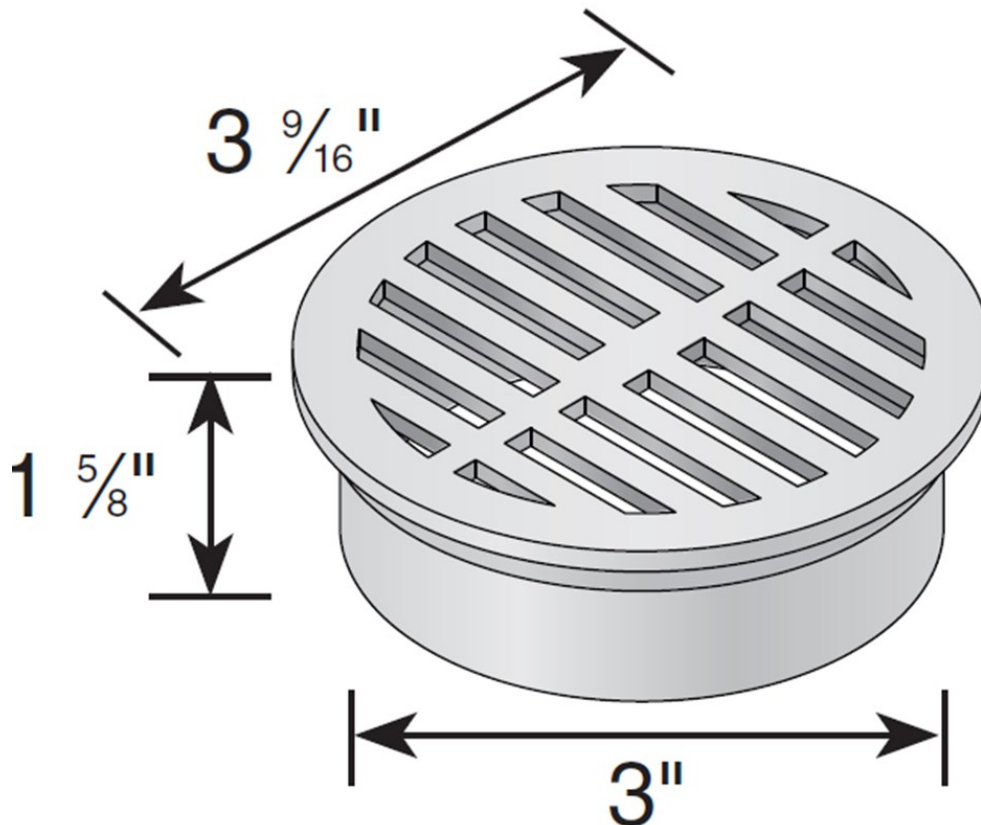


3" Round Grate



Part #: 14,15,16,&16S
 Material: (HDP) High Density Polypropylene
 Color: #14(Black), #15(Gray), #16(Green), & #16S(Sand)
 Fits: 3" sewer and drain pipe & fittings,
 3" corrugated and triple wall pipe.
 Grate Opening: 3/16"
 Open Surface Area: 2.60 Sq. Inches
 Head Pressure / Flow Rate:
Head (inches) - Max Flow
 1" = 11.25 GPM
 0.5" = 7.95 GPM
 Weigh Per Each: 0.13 lbs.

Load Recommendation Guide



Class A

- Loads of 1-60 psi.
- Recommended for pedestrians, bicycles and wheel chair traffic.

ADA Compliant/Heel-proof



DRAINAGE
SOLUTIONS, INC

(317) 346-4110

www.drainagesolutionsinc.com

